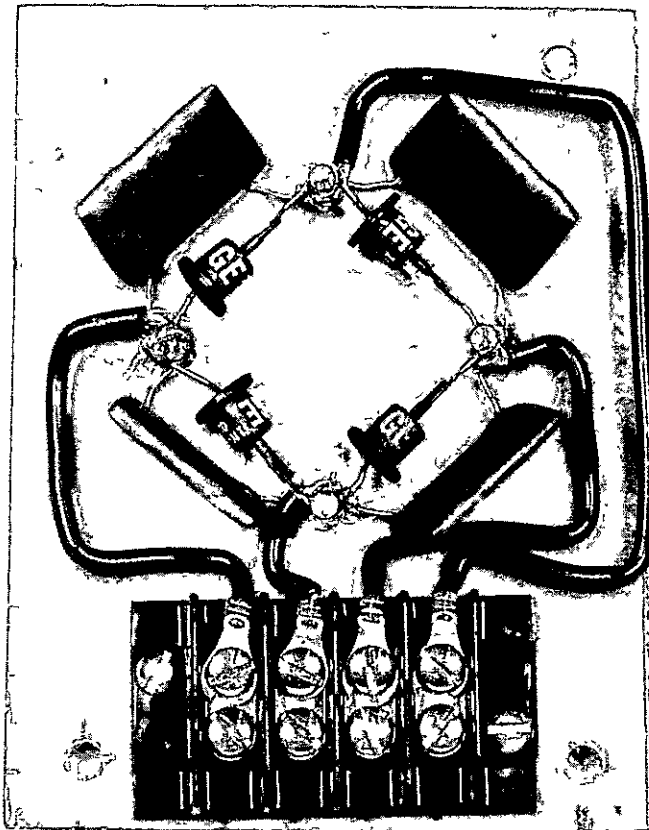




INSTRUCTIONS
AND
RENEWAL PARTS

GEI-77039

SILICON RECTIFIER BOARD



MEDIUM VOLTAGE SWITCHGEAR DEPARTMENT

GENERAL  **ELECTRIC**

PHILADELPHIA, PA.



SILICON RECTIFIER BOARD

INTRODUCTION

Silicon rectifier board is designed for full wave rectification where continuous low current application is required. The

rectifiers, colored blue with a round base, are of the button type and are hermetically sealed units. The rectifier board should be

mounted in a clean, dry place away from any source of heat.

DESCRIPTION

The silicon rectifier unit assembly consists of four half wave rectifiers, four

capacitors mounted across each rectifier for voltage protection of rectifiers, and a four point terminal board all mounted on a

compound plate. Two clips are furnished for mounting the rectifier board to a panel.

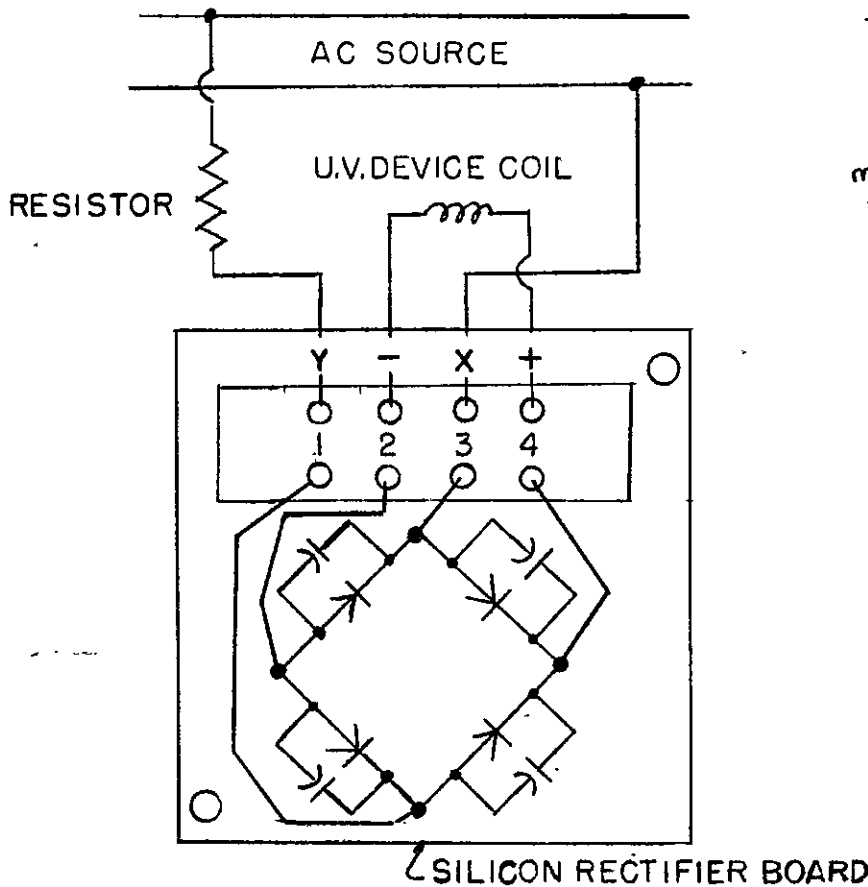


Fig. 1 Schematic of Rectifier Assembly

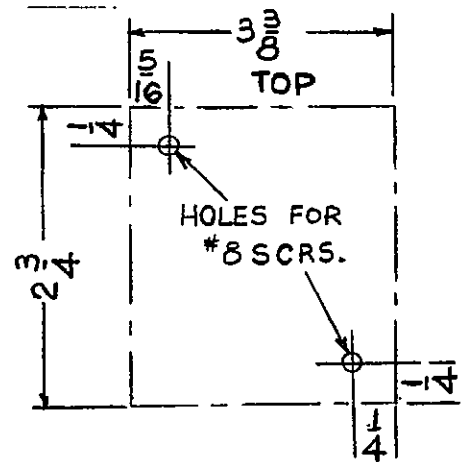


Fig. 2 Typical Wiring Diagram

These instructions do not purport to cover all details or variations in equipment nor to provide for every possible contingency to be met in connection with installation, operation or maintenance. Should further information be desired or should particular problems arise which are not covered sufficiently for the purchaser's purposes, the matter should be referred to the General Electric Company.

RENEWAL PARTS

It is recommended that sufficient renewal parts be carried in stock to enable the prompt replacement of any worn, broken, or damaged parts. A stock of such parts minimizes service interruptions caused by breakdowns, and saves time and expense.

When continuous operation is a primary consideration, more renewal parts should be carried, the amount depending upon the severity of the service and the time required to secure replacements.

Renewal parts which are furnished may not be identical to the original parts, since improvements are made from time to time. The parts which are furnished, however, will be interchangeable.

ORDERING INSTRUCTIONS

1. ALWAYS SPECIFY THE COMPLETE DATA OF THE RECTIFIER ASSEMBLY.
2. SPECIFY THE QUANTITY, CATALOG NUMBER (IF LISTED), REFERENCE NUMBER (IF LISTED), AND DESCRIPTION OF EACH PART ORDERED, AND THIS BULLETIN NUMBER.
3. STANDARD HARDWARE, SUCH AS SCREWS, BOLTS, NUTS, WASHERS, ETC., IS NOT LISTED IN THIS BULLETIN. SUCH ITEMS SHOULD BE PURCHASED LOCALLY.
4. FOR PRICES, REFER TO THE NEAREST OFFICE OF THE GENERAL ELECTRIC COMPANY.

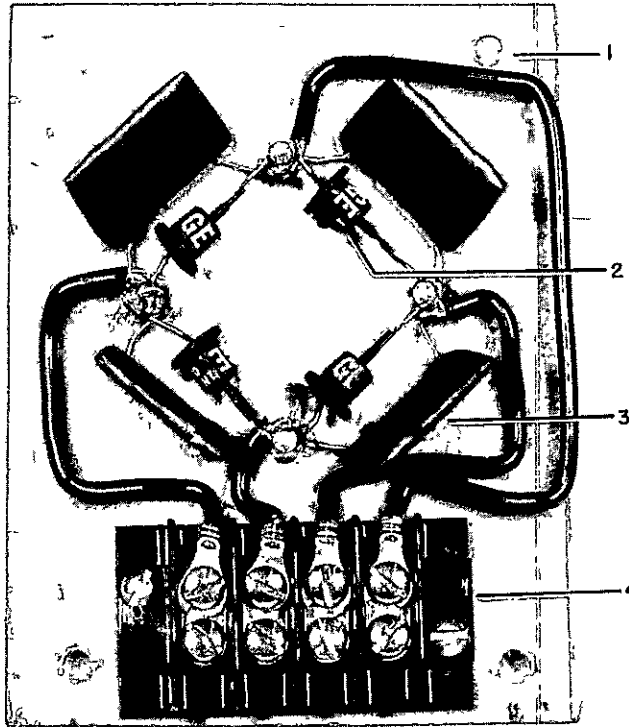


Fig. 3

NO.	DRAWING NO.	QT.	DESCRIPTION
1	0107B9303 G-1	1	Rectifier Board Assembly
2	0456A0864 P-0036	4	Rectifier
3	0456A0864 P-0037	4	Capacitor
4	0456A0864 P-0032	1	Terminal Board

Fig. 3 (8028646)