



SYNCHRONISM CHECK RELAY

TYPE IJS52D

CONTENTS

INTRODUCTION 3

APPLICATION 3

RATING 3

CHARACTERISTICS 3

CONSTRUCTION 5

RECEIVING, HANDLING AND STORAGE 5

ACCEPTANCE TESTS 6

INSTALLATION PROCEDURE 6

PERIODIC CHECKS AND ROUTINE MAINTENANCE..... 7

SERVICING 7

RENEWAL PARTS 9



LOW VOLTAGE SWITCHGEAR DEPARTMENT

GENERAL ELECTRIC

PHILADELPHIA, PA.

SYNCHRONISM-CHECK RELAY

TYPE IJS52D

INTRODUCTION

The Type IJS52D relays are of the induction-disk construction and are intended for use as synchronism-check relays.

The synchronism-check unit has two shaded-pole U-magnet driving-elements acting on opposite sides of a single rotating disk. (See Fig. 2). One of these, the operating element, drives the disk in the contact-closing direction, and the other, the restraining element, drives the disk in the opposite direction. The disk shaft is restrained by a spiral spring, the purpose being to hold the contacts open when the relay is de-energized. The motion of the disk is retarded by permanent magnets (drag magnets) acting on the disk to give a time delay.

The Type IJS52D relay has two telephone-type undervoltage units. These are designated as "B" and "L" on Fig. 7.

The Type IJS52D relay does not have a seal-in unit since one is not required in its normal application.

APPLICATION

The IJS relay is applicable as a synchronism-check relay to permit closure of a circuit breaker only when the two sources connected to it are correctly synchronized elsewhere. It determines that synchronism is being maintained by other interconnections, and then permits closure of the circuit breaker. See Fig. 9 for typical elementary diagram.

In such an application the voltages may be slightly out of phase with each other because of different line and load characteristics. This condition may exist, for example, where one line is supplying a lagging load through a transformer bank, and the second is unloaded. The relay, however, can be calibrated to permit closure of the breaker under these conditions if the voltage and the phase-angle differences are not excessive.

On systems where lines may or may not be tied together elsewhere, the IJS relay is used in parallel with the Type GES relay to permit closure of a breaker with zero frequency difference.

The telephone relays "B" and "L", mentioned above, serve to reclose the breaker under conditions of (1) dead bus or line, (2) live bus, dead line, (3) dead bus, live line, (4) dead bus, live line or live bus, dead line (5) dead line, bus live or dead (6) dead bus, line live or dead depending on the external connections used (see Fig. 9).

RATING

The operating and restraining coils of the synchronism-check unit are continuously rated. The contact of this unit will make and carry momentarily 30 amperes but it has no interrupting rating.

The telephone-type voltage relay contacts will make and carry 30 amperes momentarily for normal duty but the circuit must be opened by a breaker auxiliary unit or other suitable means.

The telephone-type relays have operating coils rated at 115 volts.

CHARACTERISTICS

Operating Principles

The operating coils, mounted on the left-hand side, produce a torque tending to close the synchronism-check contact. This torque is proportional to the vector sum of the voltages whose phase positions are being compared. The torque produced by the restraint coils is proportional to the vector difference of the voltages. The operating torque is maximum when they are in phase opposition; the reverse is true of the restraining torque.

The closing angle of the relay is defined as the maximum phase displacement of the two voltages at which the relay will close its synchronism-check contact when the voltages are at rated value. The 20-degree closing angle is considered standard; however, other settings may be made as indicated by the voltage-phase angle characteristics shown in Fig. 1.

The time-delay characteristics of the Type IJS relay are obtained primarily by the time-dial setting. The time dial controls the distance the contacts must travel before closure and, hence, controls the time delay. At No. 10 time-dial setting the travel is maximum, whereas, at No. 0 the contacts are just closed. A certain amount of adjustment may be made by changing the position of the drag magnet on its shelf. Moving it toward the disk shaft decreases the time delay while moving it away from the disk shaft increases the time delay.

Typical time vs. phase-angle curves are shown in Figs. 4 and 5 for 60 cycle relays. The Model 12IJS52D1 relay has a standard closing angle setting of 20 degrees, and has its drag magnet adjusted to provide 20 seconds time delay from No. 10 time-dial setting for voltages in phase. The closing angle

These instructions do not purport to cover all details or variations in equipment nor to provide for every possible contingency to be met in connection with installation, operation or maintenance. Should further information be desired or should particular problems arise which are not covered sufficiently for the purchaser's purposes, the matter should be referred to the General Electric Company.

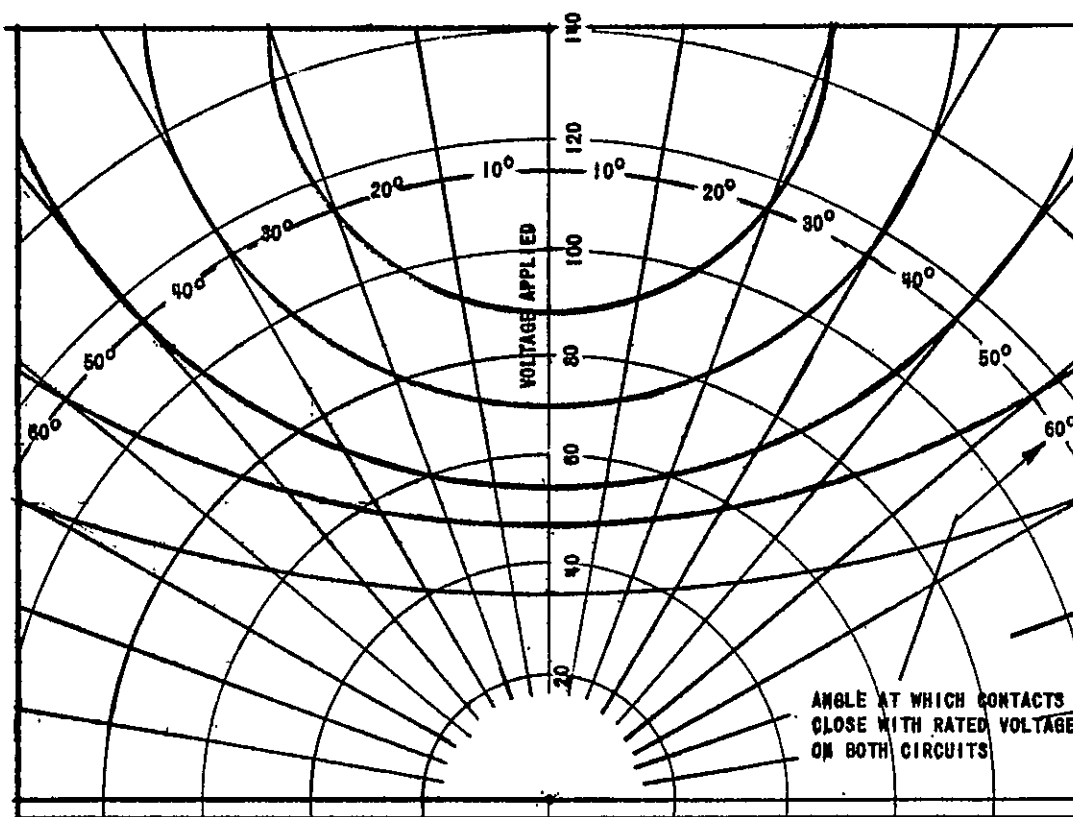


Fig. 1 (0165A7535-) Typical Voltage Phase Angle Characteristic of 115 Volt 50/60 Cycle Relay for Various Closing Angle Adjustments with Rated Voltage Maintained On One Circuit. Standard Closing Angle Adjustment is 20°

Cover (8030533)

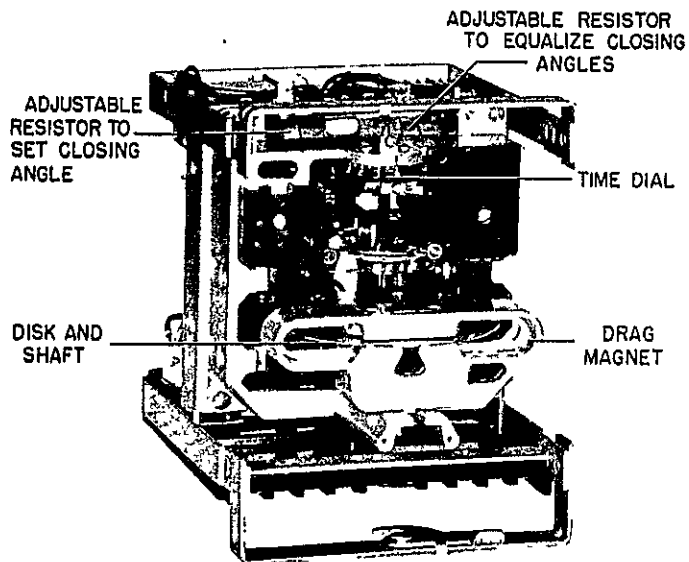


Fig. 2 (8030534) Type IJS52D Relay Unit In Cradle (Front View)

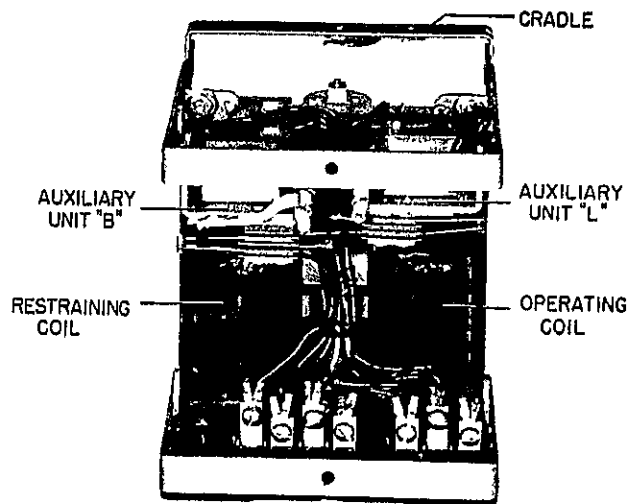


Fig. 3 (8030535) Type IJS52D Relay Unit In Cradle (Rear View)

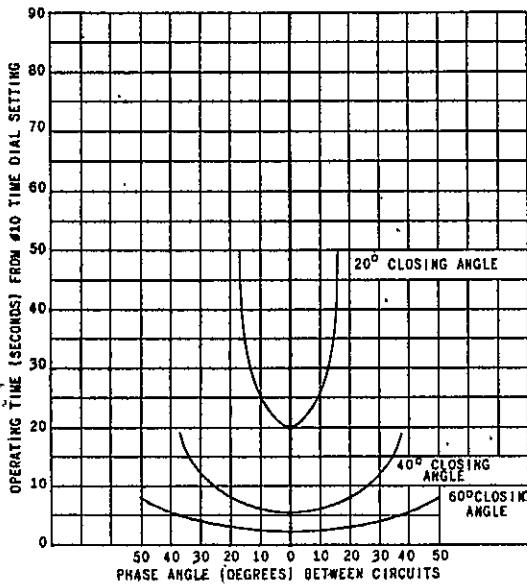


Fig. 4 (K-6400151-3) Typical Time-Phase Angle Curve With Rated Voltage. Relay Type LJS52D1

on this relay can be adjusted to angles greater than 20 degrees but with a corresponding decrease in time delay as shown in Fig. 4. The approximate reset time with both coils de-energized is about 40 seconds. The approximate reset time with one coil energized at rated voltage varies from 3 seconds on the 20° setting to 6 seconds on the 60° setting with #10 T. D. S.

The Model 12LJS52D2 relay, which is designed for use where a closing angle greater than 20 degrees is required, provides 20 seconds delay at the 40 degree closing-angle setting, as shown in Fig. 5. It may be adjusted to other closing angles between 20 and 60 degrees with corresponding changes in time delay as shown in Fig. 5. The approximate reset time with both coils de-energized is about 130 seconds at #10 T.D.S. The approximate reset time with one coil energized at rated voltage varies from 13 seconds on the 20° setting to 20 seconds on the 60° setting at #10 T.D.S.

Fig. 6 gives the operating time in seconds for various time-dial settings with zero phase displacement and with rated voltage at 60 cycles on both circuits. Curves for 50 cycles are similar. The telephone-type undervoltage units are calibrated to pick up between 35 and 52 volts and to drop out between 17 and 35 volts.

BURDENS

The burdens for the synchronism-check unit are give in Table "A". The burden varies with the phase displacement of the two voltages with a minimum at zero degrees to a maximum at 180°.

The burdens of telephone-units is 13 volt-amperes and 8 watts for each unit at 115 volts, 60 cycles.

CONSTRUCTION

The relay components are mounted in a cradle assembly which is latched into a drawout case when the relay is in operation but they can be easily removed when desired. To do this, the relay is

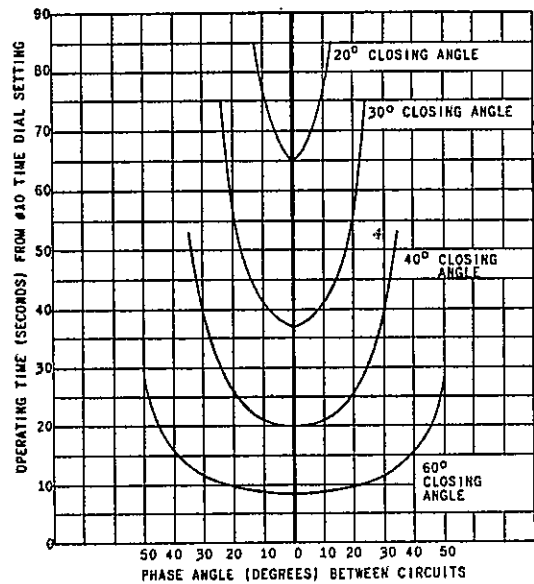


Fig. 5 (376A964-1) Typical Time-Phase Angle Characteristic of 50/60 Cycle Relay LJS52D2 With Rated Voltage On Both Circuits

TABLE A

Volts	Cycles	Circuit	Phase Diff.	Watts	Volt Amps	P.F.
115	60	5-6	0°	3.00	11.6	0.258
		5-6	180°	3.76	12.0	0.313
		7-8	0°	3.30	10.9	0.300
		7-8	180°	4.07	11.3	0.360
115	50	5-6	0°	4.35	14.2	0.306
		5-6	180°	5.25	14.6	0.359
		7-8	0°	4.75	13.3	0.357
		7-8	180°	5.60	13.9	0.403

first disconnected by removing the connection plug which completes the electrical connections between the case blocks and the cradle block. To test the relay in its case this connection block can be replaced by a test plug. The cover, which is attached to the front of the relay case, contains an interlock arm which prevents the cover from being replaced until the connection plugs have been inserted.

The relay case is suitable for either semi-flush or surface mounting on all panels up to 2 inches thick and appropriate hardware is available. However, panel thickness must be indicated on the relay order to insure that proper hardware will be included. For outline and drilling dimensions, see Fig. 13.

Every circuit in the drawout case has an auxiliary brush, as shown in Fig. 12, to provide adequate overlap when the connecting plug is withdrawn or inserted.

Internal connections for the LJS52D are shown in Fig. 7. Note that the connections to terminal 10 are arranged so that the N.C. contact of "B" or "L" can be used separately as shown in the typical external connections in Fig. 9.

RECEIVING, HANDLING AND STORAGE

These relays, when not included as part of a control panel, will be shipped in cartons designed to protect them against damage. Immediately upon receipt of a relay, examine it for any damage sustained in transit. If injury or damage resulting from

rough handling is evident, file a damage claim at once with the transportation company and promptly notify the nearest General Electric Apparatus Sales Office.

Reasonable care should be exercised in unpacking the relay. If the relays are not to be installed immediately, they should be stored in their original cartons in a place that is free from moisture, dust and metallic chips. Foreign matter collected on the outside of the case may find its way inside when the cover is removed and cause trouble in the operation of the relay.

ACCEPTANCE TESTS

Immediately upon receipt of the relay, an inspection and acceptance test should be made to insure that no damage has been sustained in shipment and that the relay calibrations have not been disturbed. If the examination or tests indicate that readjustment is necessary, refer to Section on SERVICING.

Visual Inspection

Check the nameplate stamping to insure that the Model Number and rating of the relay agree with the requisition.

Remove the relay from its case and check that there are no broken or cracked molded parts or other signs of physical damage and that all screws are tight.

Check that the short fingers are in the correct location as indicated in Fig. 8 and that the auxiliary brushes are properly adjusted (see Fig. 12).

Mechanical Inspection

1. Check that the rotating element moves without noticeable friction.
2. Remove the time dial locking screws and check that the moving contact just touches the stationary contact when the time dial is set at zero. The contact wipe should be approximately 1/32".
3. Check that the control spring is not deformed and the spring convolutions at No. 5 T.D.S. are reasonably concentric.
4. Check that the armatures of the telephone relays move freely. Also with telephone relays in the de-energized position all circuit closing contacts should have a gap of 0.015" and all circuit opening contacts have a wipe of 0.005". Gap may be checked by inserting a feeler gage and wipe can be checked by observing the amount of deflection on the stationary contact before parting the contacts. The armature should then be operated by hand and the gap and wipe again checked as described above.

Electrical Tests

Connect the relay as shown in Fig. 10 and check the following:

1. Check that the relay picks up with at least 115 volts, 60 cycle single-phase source connected to both operating coils with approximately the time delay shown in Fig. 6.
2. Check that the relay picks up at a 20° closing angle (or other closing angle if used) within ± 3 degrees when connected to a 115 volt, 60 cycle source with rated voltages on both coils. Check zero displacement pick up which should agree with the value in Fig. 1 within ± 10 percent.
3. With both coils connected to 115 volt source with zero displacement, check that pick up time agrees with values given in Figures 4 or 5 plus or minus 10 percent.
4. With a 115 volt, 60 cycle source on both operating coils, check that the telephone-type units pickup between 35 and 52 volts and that these units drop out between 17 and 35 volts.

INSTALLATION PROCEDURE

If after acceptance tests the relay is held in storage before shipment to the job site, it is recommended that visual and mechanical inspection described under the section on ACCEPTANCE TESTS be repeated before installation.

Electrical Tests

Before the following electrical tests are made the relay should be in its case, preferably mounted in its permanent location.

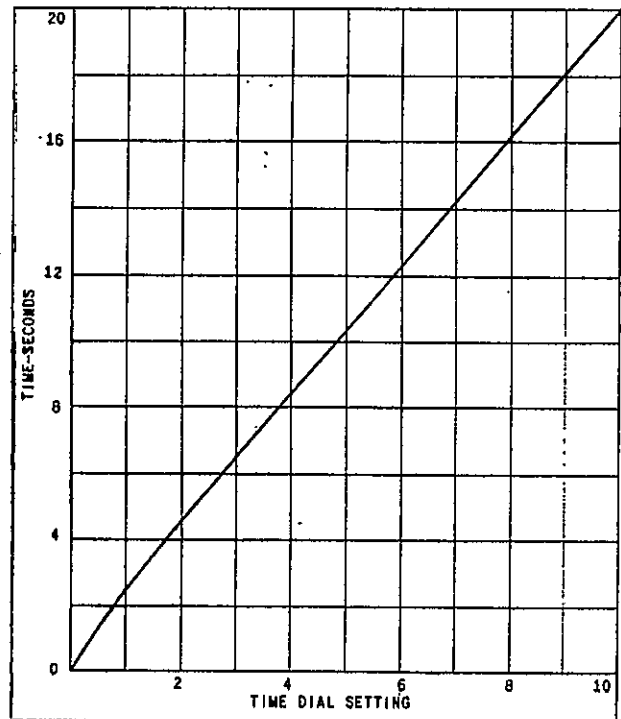


Fig. 6 (K-6400150-2) Operating Time Of Type IJS Relay With 20° Closing Angle At 0°, 115 Volts, 50/60 Cycles On Both Circuits

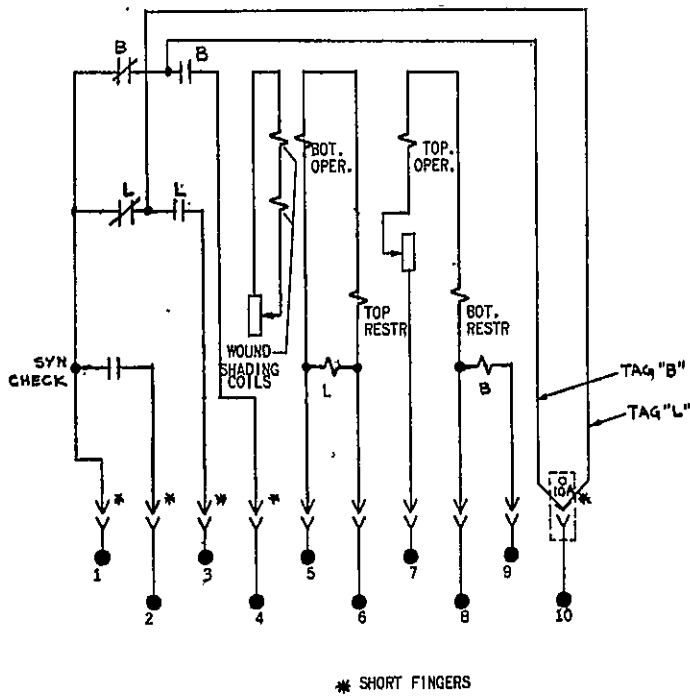


Fig. 7 (0165A6040-2) Internal Connection Diagram for IJS52D Relay

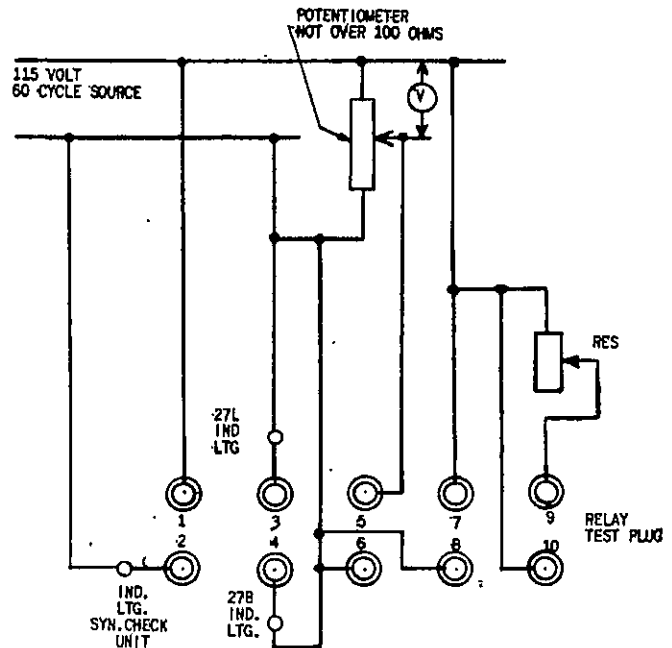


Fig. 8 (0165A7532-) Internal Connection Diagram (Front View) for IJS52D Relay

The relay closing angle should be set as required for its permanent location which would normally be 20 degrees. Connect the relay as shown in Fig. 10 and check that the relay picks up at the proper phase angle plus or minus 3 degrees.

If a phase angle meter or a phase shifter is not available, it is possible to adjust the relay to approximately the closing angle desired by means of the connections and curve shown in Fig. 11. In this test rated voltage is held on one circuit (studs 7-8) and a reduced voltage is applied to the other circuit (studs 5-6). The voltage connected to studs 5-6 is adjusted until the synchronizing check unit just closes its contact. The difference between the two voltages should agree approximately with the voltage given on the curve shown in Fig. 11 for the phase angle used (i.e. 24 volts for 20 degrees closing).

When using either connections shown in Fig. 10 or Fig. 11, check the operating time at 0 displacement with 115 volts on each coil using the time dial setting of the permanent location. (See Fig. 6 for nominal time delay values).

Pick up and drop out of the telephone-type undervoltage relays should be checked as described in section on ACCEPTANCE TESTS.

PERIODIC CHECKS AND ROUTINE MAINTENANCE

In view of the vital roll of protective relays in the operation of a power system it is important that a periodic test program be followed. It is recognized

that the interval between periodic checks will vary depending upon environment, type of relay and the user's experience with periodic testing. Until the user has accumulated enough experience to select the test interval best suited to his individual requirements it is suggested that the following points be checked at an interval of from one to two years.

Mechanical

The mechanical checks described under the section on ACCEPTANCE TESTS should be repeated.

Electrical

Using connections in Fig. 8:

1. Check that the maximum closing angle for pick-up of the synchronizing check unit agrees approximately with the value shown on the curve in Fig. 11.
2. Check the closing time with the potentiometer set to provide 115 volts on both circuits. The time should agree with values given in Fig. 6 plus or minus 10 percent.
3. Check the pick-up and drop-out of the telephone-type undervoltage units (27B and 27L).

SERVICING

If recalibration of the relay is necessary, the following should be considered when making adjustments.

GEI-90802 Synchronism Check Relay Type IJS52D

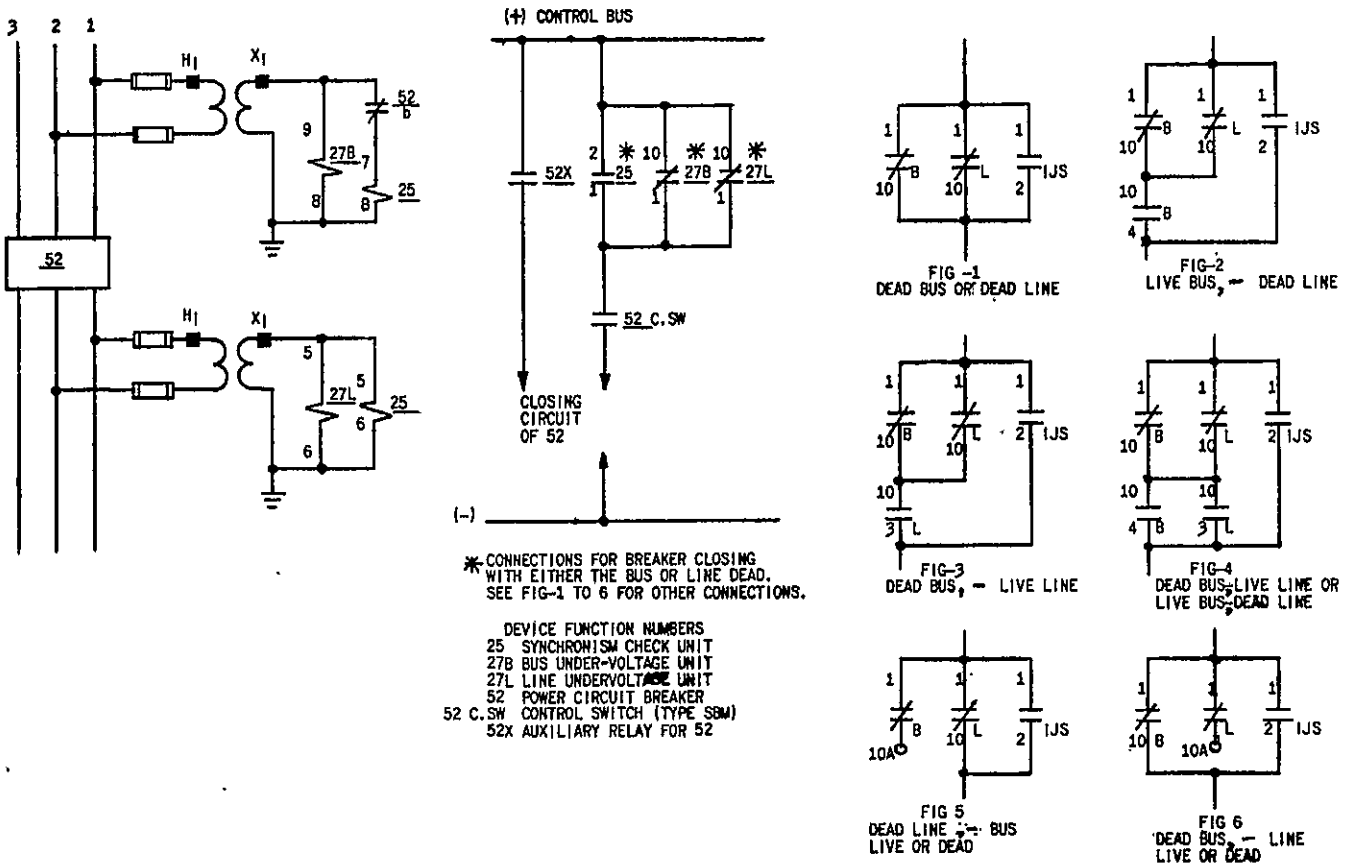


Fig. 9 (026480496-) Elementary Diagram Of External Connections Of The Type IJS Relays

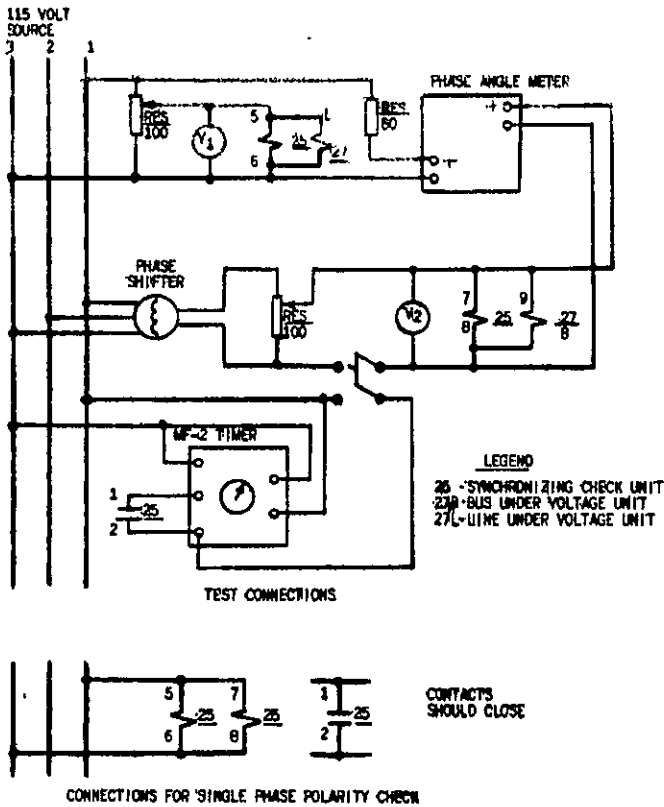


Fig. 10 (0165A7533-) Testing Connections For Relay Type IJS52D

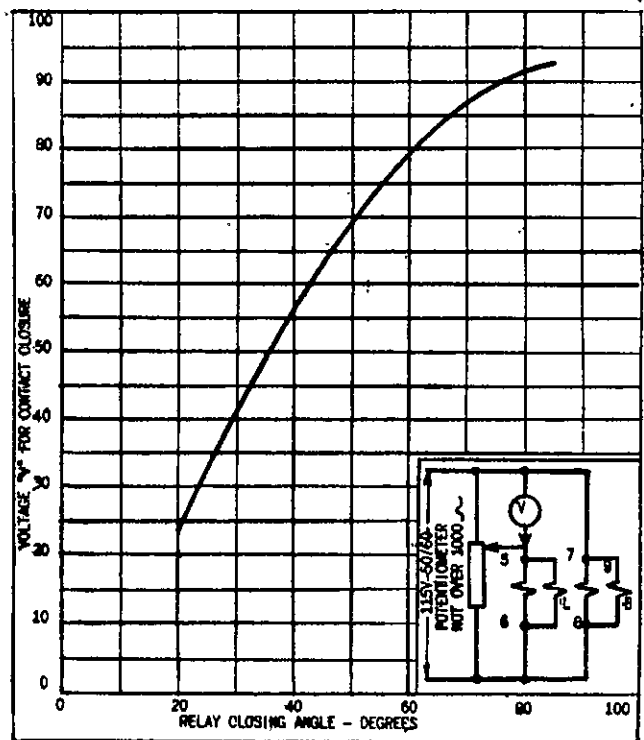


Fig. 11 (0165A7534-) Connections And Curve To Make Approximate Closing Angle Adjustment Without Phase Shifter On 115 Volt - 50/60 Cycle Relay. Relay Type IJS52D

Mechanical Adjustments

1. The moving contact should just touch the secondary contact when the time dial is set at the zero position. If readjustment is necessary, loosen the two clamping screws which fasten the stop arm to the shaft and change the position of the stop arm relative to the moving contact until the contacts just touch with the time dial set at zero. A fine adjustment can be obtained by moving the stationary contact brush in or out by means of its adjusting screw. However, in the final adjustment, the contact brush must be positioned so that there is 1/64" to 1/32" wipe with the contact fully closed. Be sure that the screws are securely tightened after adjustment is made.
2. The stop arm leaf spring should deflect at least 1/64" when synchronism-check unit is de-energized.
3. The disc and shaft assembly should have a vertical end play of 1/16" to 1/32" and both bearing screws should be tight. The disc should be approximately centered between the poles of the U-magnet and drag magnet.
4. Telephone-type relay contact gaps may be adjusted by bending the stationary contact brush to obtain 0.015 inch gap. When the adjustment is made, the wipe must be rechecked to insure a minimum of 0.005 inch wipe.

Electrical Adjustments

Closing Angle Adjustment

Connect the relay as shown in Fig. 10. To make an accurate adjustment of the closing angle, a phase shifter and phase angle meter are required along with a means for voltage control.

Two adjustments are necessary for obtaining a desired closing angle. The right-hand adjustable resistor at the top of the frame permits equalizing the closing angle. That is, the closing angle will be the same whether one voltage is leading or lagging the other voltage.

The left-hand adjusting resistor is for obtaining the correct closing-angle setting. Simultaneous adjustments of the two resistors are necessary.

Using connections shown in Fig. 10 set V_1 at 115 volts. If a 20 degree closing angle is desired, set V_2 at 115 volts, leading V_1 by 20 degrees. Adjust the left-hand resistor until the contacts just

close. Now with 115 volts on both circuits, determine the angle at which the contact closes with V_2 lagging V_1 . If the two angles are unequal, equalize them at 20 degrees by adjusting the right-hand resistor. Then check the closing angle with V_2 leading V_1 , and readjust, if necessary. Continue this procedure until the relay contacts just close for V_1 leading or lagging V_2 by 20 degrees. Use the same procedure for other closing-angle settings.

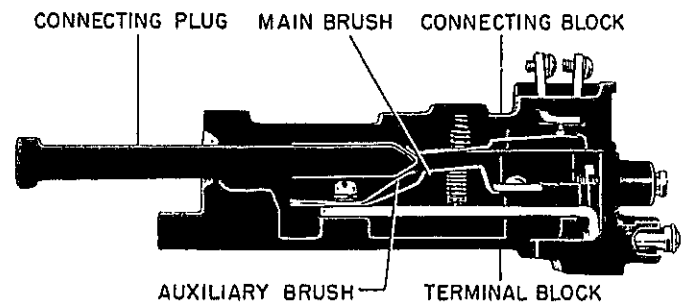
The pick-up and drop-out of the telephone-type relay may be changed by adjusting the gap between the armature and the pole face by bending the contact operating arm stop. After this adjustment is made the contact wipe and gap must be rechecked.

If it is necessary to adjust the time characteristics, impose the chosen conditions on the relay, using connections shown in Fig. 10 and adjust the time dial and, if necessary, the drag magnet until the correct operating time is obtained.

RENEWAL PARTS

It is recommended that sufficient quantities of renewal parts be carried in stock to enable the prompt replacement of any that are worn, broken, or damaged.

When ordering renewal parts, address the nearest Sales Office of the General Electric Company, specify quantity required, name of the part wanted and give complete nomenclature data. If possible, give the General Electric requisition number on which the relay was furnished.



NOTE: AFTER ENGAGING AUXILIARY BRUSH, CONNECTING PLUG TRAVELS 1/4 INCH BEFORE ENGAGING THE MAIN BRUSH ON THE TERMINAL BLOCK.

Fig. 12 (8025039) Cross Section Drawout Case Showing Position Of Auxiliary Brush

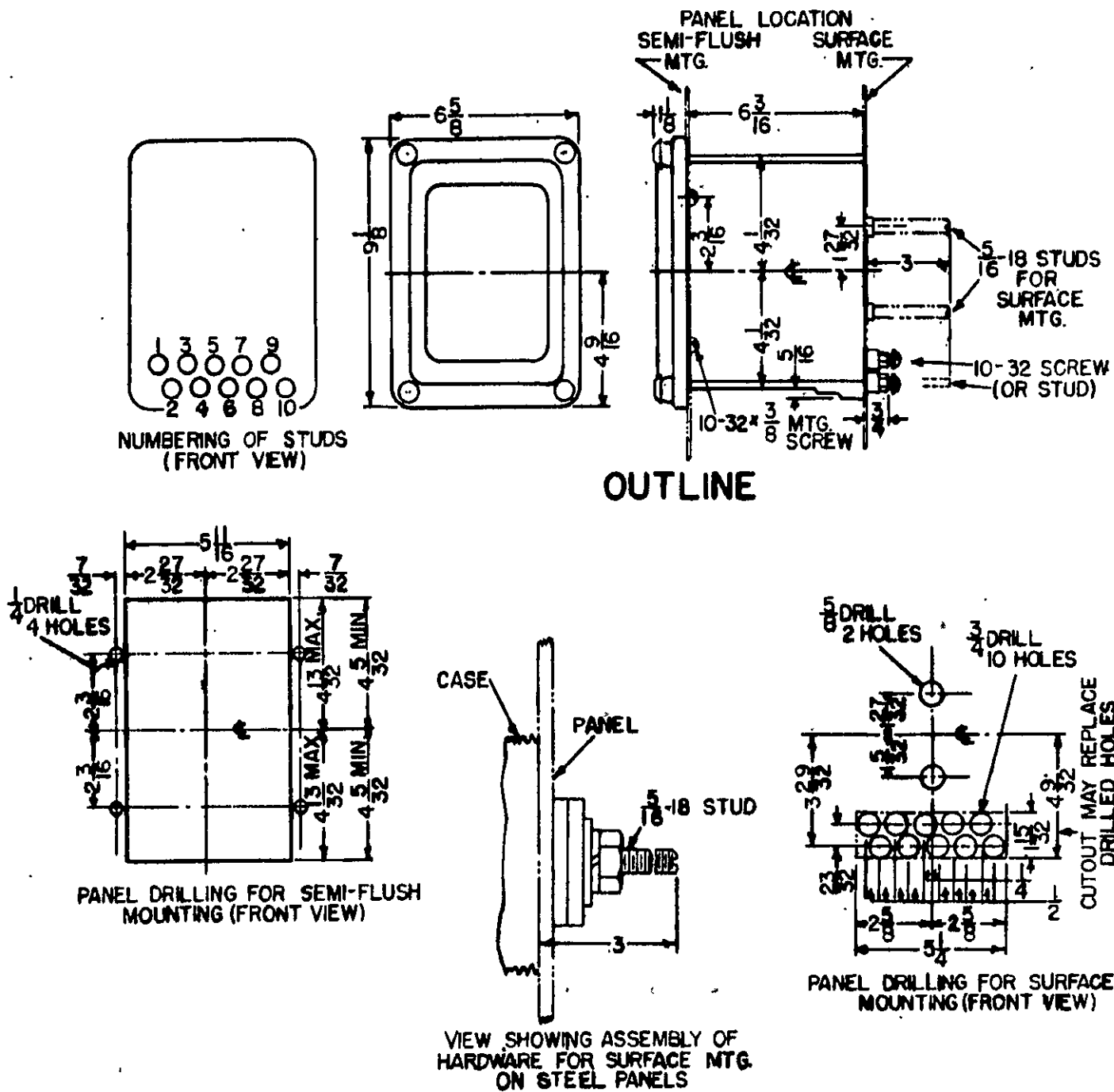


Fig. 13 (K-6209271). Outline And Panel Drilling Dimensions For Type IJS Relay

GENERAL ELECTRIC SALES OFFICES

GEZ-2500L

READY TO ASSIST YOU . . . When You Have Electrical Problems . . . Need Further Information . . . Require Ordering Instructions

SALES OFFICE CODE KEY

- * Industrial Equipment (including Agent and Distributor) Sales
- † Electric Utility Equipment Sales
- ‡ Marine and Defense Equipment Sales
- § Component Sales Operation

ALABAMA	
* † ‡	Birmingham 35205..... 2151 Highland Ave., Mobile 36602..... 704 Government St.
ARIZONA	
* † ‡	Phoenix 85012..... 3550 N. Central Ave., Tucson 85711..... 151 S. Tucson Blvd.
ARKANSAS	
* † ‡	North Little Rock 72114..... 1900 E. Washington Pine Bluff 71602..... P. O. Box 1033
CALIFORNIA	
* † ‡	Fresno 93728..... 1532 N. West Ave. Los Angeles 90054..... 212 N. Vignes St. Los Angeles 90005..... 3325 Wilshire Blvd. Oakland 94612..... 409 Thirteenth St. Redwood City 94063..... 35 Veterans Blvd. Sacramento 95816..... 2407 "J" St. San Diego 92103..... 2550 First Ave. San Francisco 94106..... 235 Montgomery St. San Jose 95128..... 2135 So. First St.
COLORADO	
* † ‡	Denver 80201..... 201 University Blvd.
CONNECTICUT	
* † ‡	Hamden 06518..... 2905-2921 Dixwell Ave. Hartford 06105..... 764 Asylum Ave.
DISTRICT OF COLUMBIA	
* † ‡	Washington 20005..... 777-14th St., N.W.
FLORIDA	
* † ‡	Cocoa Beach (Cape Canaveral Office)..... 1325 N. Atlantic Ave. Coral Gables 33146..... 250 Bird Road Jacksonville 32202..... 1901 Hill St. Miami 33134..... 4100 West Flagler St. Pensacola 32503..... First Bank Bldg. Tampa 33609..... Henderson Blvd. at Lois Ave. Tampa 33609..... 2106 S. Lois Ave.
GEORGIA	
* † ‡	Atlanta 30309..... 1860 Peachtree Rd., N.W. Macon 31202..... 682 Cherry St. Savannah 31403..... 5002 Paulsen St.
IDAHO	
* † ‡	Boise 83706..... 1524 Idaho St.
ILLINOIS	
* † ‡	Chicago 60680..... 840 S. Canal St. Peoria 61603..... 2008 N.E. Perry Ave. Rockford 61105..... 4223 East State St. Springfield 62701..... 607 E. Adams St.
INDIANA	
* † ‡	Evansville 47714..... 2709 Washington Ave. Fort Wayne 46807..... 1635 Broadway Fort Wayne 46806..... 3606 S. Calhoun St. Indianapolis 46207..... 3750 N. Meridian St. South Bend 46601..... 430 N. Michigan St.
IOWA	
* † ‡	Cedar Rapids 52401..... 210 Second St., S.E. Davenport 52805..... 1039 State St., Bettendorf, Iowa Des Moines 50310..... 3839 Merle Hay Rd. Sioux City 51101..... 520 Pierce St.
KANSAS	
* † ‡	Wichita 67211..... 820 E. Indianapolis Ave.
KENTUCKY	
* † ‡	Laxington 40503..... 465 E. High St. Louisville 40218..... 2300 Meadow Dr.

LOUISIANA	
* † ‡	Alexandria 71302..... 720 Murray St. Baton Rouge 70815..... 633 Oak Villa Blvd. Lake Charles..... 1424 Ryan St. New Orleans 70112..... 837 Gravier St. New Orleans 70125..... 4747 Earhart Blvd. Shreveport 71101..... 400 Travis St.
MAINE	
* † ‡	Augusta..... 152 State St. Bangor 04402..... 77 Central St.
MARYLAND	
* † ‡	Baltimore 21201..... North Charles Hagerstown..... 49 East Franklin St.
MASSACHUSETTS	
* † ‡	Boston 02117..... 31 St. James Ave. Springfield 01103..... 120 Maple St. Worcester 01605..... 288 Grove St.
MICHIGAN	
* † ‡	Detroit 48202..... 700 Antoinette St. Flint 48503..... 316½ W. Court St. Grand Rapids 49508 2821 Madison Ave., S.E. Jackson 49201..... 210 W. Franklin St. Kalamazoo..... 927 S. Burdick St. Lansing 48901..... 501 Bank of Lansing Bldg. Saginaw 48607 Second National Bank Bldg.
MINNESOTA	
* † ‡	Duluth 55802..... 14 W. Superior St. Fergus Falls 56537..... 106 E. Washington St. Minneapolis 55402..... 12 S. Sixth St.
MISSISSIPPI	
* † ‡	Gulfport 39502..... P.O. Box 33 Jackson 39201..... 210 S. Lamar St.
MISSOURI	
* † ‡	Joplin 64802..... 212½ W. Fifth St. Kansas City 64105..... 106 W. Fourteenth St. St. Louis 63101..... 1015 Locust St.
MONTANA	
* † ‡	Billings 59101..... 303 N. Broadway Butte 59701..... 103 N. Wyoming St.
NEBRASKA	
* † ‡	Omaha 68102..... 409 S. Seventeenth St.
NEVADA	
* † ‡	Las Vegas 89106..... 1711 S. 8th St.
NEW HAMPSHIRE	
* † ‡	Manchester 03104..... 1662 Elm St.
NEW JERSEY	
* † ‡	East Orange 07017..... 26 Washington St.
NEW MEXICO	
* † ‡	Albuquerque 87108 120 Madeira Drive, N.E.
NEW YORK	
* † ‡	Albany 12203..... 8 Colvin Ave. Binghamton 13902..... 19 Chango St. Buffalo 14202..... 625 Delaware Ave. New York 10022..... 570 Lexington Ave. Rochester 14604..... 89 East Ave. Syracuse 13206..... 8332 James St. Utica 13501..... 1001 Broad St. Waverly 14892..... P.O. Box 308
NORTH CAROLINA	
* † ‡	Charlotte 28202..... 129 W. Trade St. Greensboro 27405..... 801 Summit Ave. Raleigh 27602..... 16 W. Martin St.
NORTH DAKOTA	
* † ‡	Bismarck 58501..... 418 Rosser Ave.
OHIO	
* † ‡	Akron 44313..... 2858 W. Market St. Canton 44701..... 515 Third St., N.W. Cincinnati 45206..... 2621 Victory Pkwy. Cleveland 44104..... 4965 Woodland Ave. Columbus 43215..... 395 E. Broad St. Columbus 43212..... 937 Burrell Ave. Dayton 45402..... 11 W. Monument Ave. Dayton 45402..... 118 W. First St. Mansfield 44906..... 564 Park Ave., West Toledo 43606..... 3125 Douglas Rd. Youngstown 44507..... 272 E. Indianola Ave.

OKLAHOMA	
* † ‡	Oklahoma City 73106..... 2000 Classen Blvd. Tulsa 74114..... Columbia Bldg.; 2651 E. 21st St.
OREGON	
* † ‡	Eugene 97401..... 1170 Pearl St. Medford 97501..... 107 E. Main St. Portland 97210..... 2929 N.W. 29th Ave.
PENNSYLVANIA	
* † ‡	Allentown 18102..... 732 North 16th St. Erie 16501..... 1001 State St. Johnstown 15902..... 841 Oak St. Philadelphia 19102..... 3 Penn Center Plaza Pittsburgh 15222 The Oliver Bldg., Mellon Sq. Pittsburgh 15228..... 733 Washington Rd. York 17403..... 56 N. Harrison St.
SOUTH CAROLINA	
* † ‡	Columbia 29201..... 1310 Lady St. Greenville 29602..... 108 W. Washington St.
TENNESSEE	
* † ‡	Chattanooga 37402..... 832 Georgia Ave. Kingsport 37662..... 322 Commerce St. Knoxville 37916..... 1301 Hannah Ave., N.W. Memphis 38104..... 1420 Union Ave. Murfreesboro..... P.O. Box 1040 Nashville 37203..... 1717 W. End Bldg. Oak Ridge..... 253 Main St., East
TEXAS	
* † ‡	Abilene 79601..... 442 Cedar St. Amarillo 79101..... 403 Amarillo Blvd. Beaumont 77701..... 1385 Calder Ave. Corpus Christi 78401..... 205 N. Chaparral Dallas 75207..... 8101 Stemmons Freeway El Paso 79901..... 215 N. Stanton St. Fort Worth 76102..... 408 W. Seventh St. Houston 77027..... 4219 Richmond Ave. Lubbock 79408..... 500 E. 50th St. Midland..... 122 North N St. San Antonio 78204..... 419 S. Main Ave.
UTAH	
* † ‡	Salt Lake City 84110..... 200 S. Main St.
VERMONT	
* † ‡	Rutland..... 38½ Center St.
VIRGINIA	
* † ‡	Newport News 23601..... P.O. Box 1038, 311 Main St. Richmond 23230..... 5001 W. Broad St. Roanoke 24005..... 920 S. Jefferson St.
WASHINGTON	
* † ‡	Pasco 99301..... 824 W. Lewis St. Seattle 98104..... 710 Second Ave. Spokane 99220..... S. 162 Post St. Spokane 99220..... E. 1805 Trent St.
WEST VIRGINIA	
* † ‡	Charleston 25328..... 306 MacCorkle Ave., S.E. Fairmont 26555..... 310 Jacobs Bldg. Wheeling..... 40 Fourteenth St.
WISCONSIN	
* † ‡	Appleton 54910..... 510 W. College Ave. Madison 53703..... 340 W. Washington Ave. Milwaukee 53233..... 940 W. St. Paul Ave.
CANADA: Canadian General Electric Company, Ltd., Toronto	
HAWAII: American Factors, Ltd., P.O. Box 3230, Honolulu 96801	

GENERAL ELECTRIC SERVICE SHOPS

WHEN YOU NEED SERVICE . . . These G-E service shops will repair, recondition, and rebuild your electric apparatus. The facilities are available day and night, seven days a week, for work in the shops or on your premises. Latest factory methods and genuine G-E renewal parts are used to maintain peak

performance of your equipment. For full information about these services, contact your nearest service shop or sales office.

ALABAMA	
* † ‡	Birmingham 35211, P.O. Box 3687..... 7-18th St., S.W.
ARIZONA	
* † ‡	(Phoenix) Glendale 85301..... 4911 West Colter St.
CALIFORNIA	
* † ‡	Los Angeles 90001..... 6900 Stanford Ave. (Los Angeles) Ontario..... Ontario International Airport Oakland 94608..... 3400 Wood St. Sacramento 95814..... 99 North 17th St. San Francisco 94103..... 1098 Harrison St.
COLORADO	
* † ‡	Denver 80205..... 3353 Larimer St.
CONNECTICUT	
* † ‡	(Southington) Plantsville 06479..... 370 Atwater St.
FLORIDA	
* † ‡	Jacksonville 32203..... P.O. Box 2932, 2020 W. Beaver St. (Miami) Hialeah 33010..... 1062 E. 28th St. Tampa 33601..... P.O. Box 1245
GEORGIA	
* † ‡	(Atlanta) Chamblee 30005..... 5035 Peachtree Industrial Blvd.
ILLINOIS	
* † ‡	Chicago 60632..... 4360 W. 47th St.
INDIANA	
* † ‡	Fi. Wayne 46803..... 1731 Edsall Ave. Indianapolis 46222..... 1740 W. Vermont St.
IOWA	
* † ‡	(Davenport) Bettendorf 52722..... 1025 State St.

KANSAS	
* † ‡	(Strother) Arkansas City..... G.E. Co., P.O. Box 797
KENTUCKY	
* † ‡	Louisville 40209..... 3900 Crittenden Drive
LOUISIANA	
* † ‡	New Orleans 70117..... 1115 De Armas St.
MARYLAND	
* † ‡	Baltimore 21230..... 920 E. Fort Ave.
MASSACHUSETTS	
* † ‡	(Boston) Medford 02155..... 3960 Mystic Valley Parkway
MICHIGAN	
* † ‡	Detroit 48202..... 5950 Third St.
MINNESOTA	
* † ‡	Minneapolis 55430..... 2025-49th Ave., N.
MISSOURI	
* † ‡	Kansas City 64120..... 3525 Gardner Ave. St. Louis 63110..... 1115 East Road
NEW YORK	
* † ‡	Albany 12205..... 1097 Central Ave. Buffalo 14211..... 318 Urban St. (New York) Linden, N. J..... 1611 W. Elizabeth Ave. (New York) North Bergen, N. J. 07047..... 6001 Tonnelle Ave. Schenectady (Instrumentation Service) 12305..... 1 River Road
NORTH CAROLINA	
* † ‡	Charlotte 28208..... 2328 Thrift Road
OHIO	
* † ‡	Cincinnati 45202..... 444 W. Third St. Cincinnati 45232..... 260 W. Mitchell Ave. Cleveland 44125..... 4477 East 49th St.

COLUMBUS 43223	
* † ‡	P.O. Box 6198, 2128 Eakin Rd. Toledo 43605..... 405 Dearborn Ave. Youngstown 44507..... 272 E. Indianola Ave.
OREGON	
* † ‡	Portland 97210..... 2727 N.W. 29th Ave.
PENNSYLVANIA	
* † ‡	Allentown 18103..... 668 E. Highland St. Johnstown 15902..... 841 Oak St. Philadelphia 19124..... 1040 E. Erie Ave. (Pittsburgh) Homestead 15120..... 4930 Buttermilk Hollow Rd., RD #1, West Mifflin, Pa. 15122 York 17403..... 54 N. Harrison St.
TEXAS	
* † ‡	Corpus Christi 78401..... 115 Waco St. Dallas 75235..... 3202 Manor Way Houston 77020..... 5534 Harvey Wilson Drive Midland 79704..... 704 S. Johnston St.
UTAH	
* † ‡	Salt Lake City 84104..... 301 S. 7th West St.
VIRGINIA	
* † ‡	Richmond 23224..... 1403 Ingram Ave. Roanoke 24007..... P.O. Box 1327, 115 Albermarle Ave., S.E.
WASHINGTON	
* † ‡	Seattle 98134..... 3422 First Ave., S. Seattle 98108..... 220 Dawson St. Spokane 99206..... E. 4323 Mission St.
WEST VIRGINIA	
* † ‡	Charleston 25328..... 306 MacCorkle Ave.
WISCONSIN	
* † ‡	Appleton 54910..... Midway Industrial Area P.O. Box 83 County Trunk P Milwaukee 53233..... 940 W. St. Paul Ave.