

## I-T-E<sup>®</sup> Molded Case Circuit Breakers

### LMD-Frame New Product Bulletin



- Compact Size
- Lighter Weight
- UL Listed and IEC 947-2 Certified
- Meets Fed. Spec. W-C-375 Gen.
- Reverse Connectable
- True RMS Sensing
- Full Line of Field Addable Accessories for Maximum Flexibility
- Molded Case Switch
- Instantaneous Only Circuit Breakers

# Ordering Information

## Circuit Breaker Catalog Numbers

### LMD 800A Frame-Type LMXD6<sup>①</sup> Blue Label

Non-Interchangeable Trip (Assembled Circuit Breaker)		
Continuous Current Rating <sup>②</sup> @ 40°C	2-Pole <sup>②</sup>	3-Pole <sup>③</sup>
	Catalog Number	Catalog Number
500 600	LMXD62B500 LMXD62B600	LMXD63B500 LMXD63B600
700 800	LMXD62B700 LMXD62B800	LMXD63B700 LMXD63B800
800 Molded Case Switch <sup>③</sup>	LMXD62S800A	LMXD63S800A

### LMD 800A Frame-Type LMD6 Blue Label

Interchangeable Trip			
Continuous Current Rating @ 40°C	Complete Breaker Unassembled	Frame Only	Trip Unit Only
	Catalog Number	Catalog Number	Catalog Number
500 600	LMD62B500 LMD62B600	LMD62F800 LMD62F800	LMD62T500 LMD62T600
700 800	LMD62B700 LMD62B800	LMD62F800 LMD62F800	LMD62T700 LMD62T800

#### 2-Pole 600V AC, 250V DC<sup>②</sup>

500 600	LMD62B500 LMD62B600	LMD62F800 LMD62F800	LMD62T500 LMD62T600
700 800	LMD62B700 LMD62B800	LMD62F800 LMD62F800	LMD62T700 LMD62T800

#### 3-Pole 600V AC, 500V DC

500 600	LMD63B500 LMD63B600	LMD63F800 LMD63F800	LMD63T500 LMD63T600
700 800	LMD63B700 LMD63B800	LMD63F800 LMD63F800	LMD63T700 LMD63T800

#### Instantaneous Adjustment Trip Range

Ampere Ratings:	Nominal Instantaneous Values							± 20% Tolerance High <sup>④</sup>
	± 25% Tolerance Low	2	3	4	5	6	7	
500-600	3000	3430	3860	4290	4710	5140	5570	6000
700-800	3200	3500	3700	4200	4700	6400	7300	8000

① LMXD6 circuit breakers are UL listed for reverse connection applications.

② 2-pole units available in 3-pole width only.

③ Includes self-protecting instantaneous element. May open circuit over 8,000 amperes.

**Caution: Does not provide overcurrent protection. Withstand rating applies when protected by appropriate LMD6 circuit breaker.**

④ Use 6 connectors for 3-pole. Use 4 connectors for 2-pole.

### Ordering Information

Table information for types LMD6 and HLMD6 interchangeable trip circuit breaker catalog numbers include terminal connectors suitable for 75°C copper or aluminum cables—connector wire range and cavities are established in conjunction with Table 8.1 of UL 489 standards. Choose actual connector or connector kits for circuit breakers based on customer requirements.

Breaker Frame	Ampere Rating	Connector or Connector Kit
LMD	500-800	TA3K500 <sup>④</sup>

LMD6 and HLMD6 Interchangeable breakers include the frame, trip, and 6 terminal connectors. All items are shipped separately.

LMXD6 and HLMXD6 Non-Interchangeable breakers do not include the terminal connectors. Connectors must be ordered as separate items.

All interchangeable and non-interchangeable trip unit breakers are calibrated for 40°C applications. 50°C calibrated units are available at no additional charge by replacing the letter "B" with the letter "M" in the LMXD6 and HLMXD6 catalog number. For individual trip units replace the letter "T" with a "W." 50°C units are non-UL listed.

Shipping Weights		
Number of Poles	Number per Carton	Shipping Weight (lbs.)
2	1	29.25
3	1	31

#### LMD6, HLMD6, LMXD6, HLMXD6

Complete Breaker Assembled (less terminals)

2	1	29.25
3	1	31

#### LMD6, HLMD6 Frame Only

2	1	27
3	1	28

#### LMD6, HLMD6 Trip Unit Only

2	1	2.25
3	1	3

Terminal Connectors		
Catalog Number	No. of Cables per Connector	Wire Range
TA2K500	(2 pcs.)	#1-500 kcmil Cu/Al
TA3K500	(3 pcs.)	#1-500 kcmil Cu/Al
TA2N750	(2 pcs.)	600-750 kcmil Cu/Al

# Ordering Information

## Circuit Breaker and Enclosure Catalog Numbers

### LMD 800A Frame-Type HLMXD6 ① Black Label

Non-Interchangeable Trip (Assembled Circuit Breaker):		
Continuous Current Rating: @ 40°C	2-Pole	3-Pole
		600V AC/250V DC
	Catalog Number:	Catalog Number:
500	HLMXD62B500	HLMXD63B500
600	HLMXD62B600	HLMXD63B600
700	HLMXD62B700	HLMXD63B700
800	HLMXD62B800	HLMXD63B800

### LMD 800A Frame-Type HLMD6 Black Label

Interchangeable Trip			
Continuous Current Rating @ 40°C	Complete Breaker Unassembled	Frame Only	Trip Unit Only
		Catalog Number	Catalog Number

#### 2-Pole 600V AC, 250V DC②

500	HLMD62B500	HLMD62F800	LMD62T500
600	HLMD62B600	HLMD62F800	LMD62T600
700	HLMD62B700	HLMD62F800	LMD62T700
800	HLMD62B800	HLMD62F800	LMD62T800

#### 3-Pole 600V AC, 500V DC

500	HLMD63B500	HLMD63F800	LMD63T500
600	HLMD63B600	HLMD63F800	LMD63T600
700	HLMD63B700	HLMD63F800	LMD63T700
800	HLMD63B800	HLMD63F800	LMD63T800

#### Interrupting Ratings

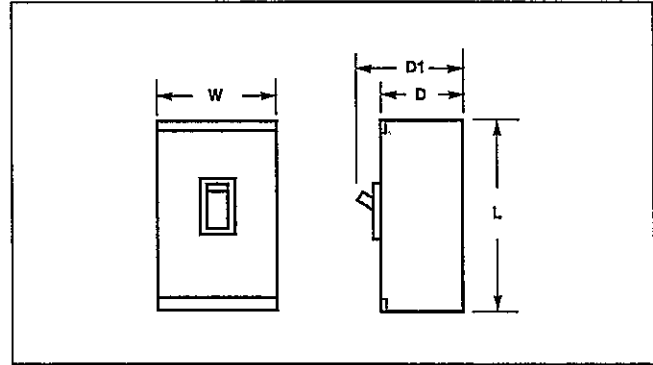
Based on UL 489 Standards UL File #10848

Breaker Type	RMS Symmetrical Amperes (kA)													
	UL A.I.R.					IEC A.I.R.								
	Volts AC		Volts DC			Volts AC (50/60 Hz)								
	240	480	600	250	500	220/240	380/415	500	(Icu)	(Ics)	(Icu)	(Ics)	(Icu)	(Ics)
LMD6, LMXD6	65	50	25	30(2-P)	25(3-P)	65	33	40	20	30	15			
HLMD6, HLMXD6	100	65	50	30(2-P)	50(3-P)	100	50	65	33	42	21			

All thermal/magnetic LMD frames meet or exceed Federal spec W-C Class 23a.

#### Instantaneous Only

Catalog Number	Instantaneous Settings							
	LOW	2	3F	4	5	6	7	HIGH
LMD6, LMXD6	2800	3100	3400	3700	4000	4800	5500	6000
	2800	3100	3400	3700	4000	4800	5500	6000
HLMD6, HLMXD6	3200	3500	3700	4200	4700	6400	7300	8000
	3200	3500	3700	4200	4700	6400	7300	8000



LMD6, LMXD6, HLMD6, HLMXD6, LMXD6-ET③

Dimensions in Inches (mm)

Breaker Type	W	L	D	D1
LMD6	7.5	16	4.5	5.93
LMXD6	(190.5)	(406.4)	(114.3)	(150.8)
HLMD6				
HLMXD6				

NOTE: All dimensions shown in inches and (millimeters). For reference purposes only. Not to be used for design or construction purposes.

#### Enclosures

Type	Catalog Number
1	LMD1
3R	LMD3R
12	LMD12
Neutral	W63623

#### Base on NEC Requirements

Settings No Greater Than 1300% of FLC

FLC	Cat. No.	ADJ.	Amps
215-238	LMXD62L800 LMXD63L800	LOW	2800
238-261		2	3100
261-284		3	3400
284-308		4	3700
308-369		5	4000
369-423		6	4800
423-462		7	5500
462-490		HIGH	6000
246-269	LMXD62A800 LMXD63A800	LOW	3200
269-284		2	3500
284-323		3	3700
323-362		4	4200
362-492		5	4700
492-562		6	6400
562-616		7	7300
616-660		HIGH	8000

① HLMXD6 circuit breakers are UL listed for reverse connection applications.

② 2-pole units available in 3-pole width only.

③ Meets IEC 947-2 requirements.

# Ordering Information

## Accessories and Accessory Combinations

### Internal Accessories

Control Voltage		(1) Shunt Trip	(1) Shunt Trip (1) Aux. Switch	Undervoltage Trip	(1) Undervoltage: (1) Aux. Switch	(1) Undervoltage (2) Aux. Switches
AC	DC	Cat. No.	Cat. No.	Cat. No.	Cat. No.	Cat. No.
24	-	S17JLD6	N/A	N/A	N/A	N/A
48	-	S18JLD6	N/A	N/A	N/A	N/A
120	-	S01JLD6	S01JLD62A	U01JLD6	U01JLD62A	U01JLD62AA
208	-	S02JLD6	S02JLD62A	U02JLD6	U02JLD62A	U02JLD62AA
240	-	S03JLD6	S03JLD62A	U03JLD6	U03JLD62A	U03JLD62AA
277	-	S15JLD6	S15JLD62A	U16JLD6	U16JLD62A	U16JLD62AA
480	-	S04JLD6	S04JLD62A	U06JLD6	U06JLD62A	U06JLD62AA
600	-	S06JLD6	N/A	U08JLD6	N/A	N/A
-	24	S07JLD6	S07JLD62A	U13JLD6	U13JLD62A	U13JLD62AA
-	48	S09JLD6	S09JLD62A	U14JLD6	U14JLD62A	U14JLD62AA
-	125	S11JLD6	S11JLD62A	U10JLD6	U10JLD62A	U10JLD62AA
-	250	S13JLD6	S13JLD62A	U12JLD6	U12JLD62A	U12JLD62AA

Maximum Voltage		(1) Auxiliary Switch	(2) Auxiliary Switches	(1) Alarm Switch	(1) Alarm Switch (1) Aux. Switch	(1) Alarm Switch (2) Aux. Switches
AC	DC	Cat. No.	Cat. No.	Cat. No.	Cat. No.	Cat. No.
480	250	A01JLD64	A02JLD64	B01JLD64	A01JLD64B	A02JLD64B

Circuit Breaker			Enclosed Circuit Breaker-Complete Assembly					Wire Conn. (Included)	Neutrals (Not Included)
Breaker Type	No. of Poles	Ampere-Rating	Type 1 Surface	Type 1 Flush	Type 3R	Type 12	Type 4, 4X		Catalog Number
LMXD	2	500-800	(1)	NA	(2)	(3)	NA	TA3K500	W63623
	3	500-800	(4)	NA	(5)	(6)	NA		
LMD	2	500-800	(7)	NA	(8)	(9)	NA		W63623
	3	500-800	(10)	NA	(11)	(12)	NA		
HLMXD	2	500-800	(13)	NA	(14)	(15)	NA		W63623
	3	500-800	(16)	NA	(17)	(18)	NA		
HLMD	2	500-800	(19)	NA	(20)	(21)	NA		W63623
	3	500-800	(22)	NA	(23)	(24)	NA		

### External Accessories

Accessory	Catalog Number
Padlocking Device	J6HPL
Handle Blocking Device	JDHBL
Mounting Screw (1 set)	MSLMD
Mechanical Interlock Device	MI5406
Rotary Handle Operator	RHOLMBO
Max-Flex Handle Operator	FHOLMBO
Rear Connecting Studs	RS5787/RS5788
Plug-In Mounting Assemblies	N/A
Telemand Motor Operator	MOLMD6120/MOLMD6120L MOLMD6240/MOLMD6240L MOLMD6125DC

NOTE: Siemens molded case circuit breakers are designed and tested to be applied in accordance to applicable positions of the National Electric Code. For example all thermal/magnetic circuit breakers are rated for 80% continuous duty at 40% unless marked otherwise.

Molded case circuit breakers are to be connected with 60 UL 75°C wire circuit breakers having a rated ampacity of 125 amperes or less. Circuit breakers having a rated ampacity greater than 125 amperes shall only be cabled with 75°C cable. Exceptions to this rule are outlined in article 110 section 110-14C (1)(2) of the National Electric Code.

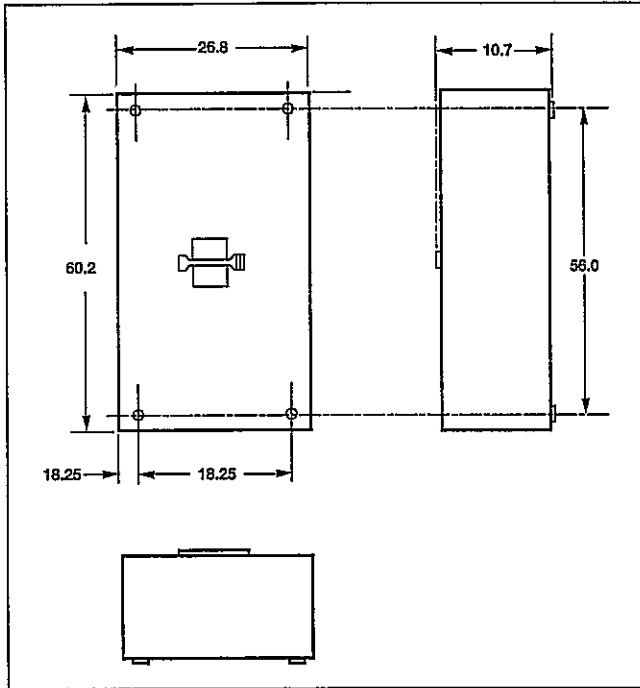
For ordering purposes use section 2 of the 1995 Speedfax.

Item	Catalog Number
1	E1S LMXD62B800
2	E3R LMXD62B800
3	E12 LMXD62B800
4	E1S LMXD63B800
5	E3R LMXD63B800
6	E12 LMXD63B800
7	E1S LMD62B800
8	E3R LMD62B800
9	E12 LMD62B800
10	E1S LMD63B800
11	E3R LMD63B800
12	E12 LMD63B800
13	E1S HLMXD62B800
14	E3R HLMXD62B800
15	E12 HLMXD62B800
16	E1S HLMXD63B800
17	E3R HLMXD63B800
18	E12 HLMXD63B800
19	E1S HLMD62B800
20	E3R HLMD62B800
21	E12 HLMD62B800
22	E1S HLMD63B800
23	E3R HLMD63B800
24	E12 HLMD63B800

# 1-T-E Enclosures

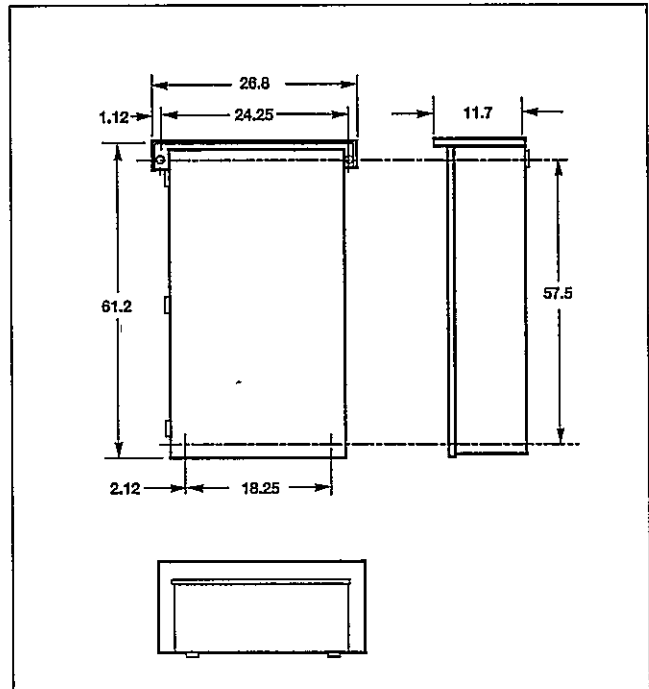
## Type 1 - LMD1

General purpose indoor, sheet-steel enclosure for use in normal atmosphere, listed as service-entrance equipment.



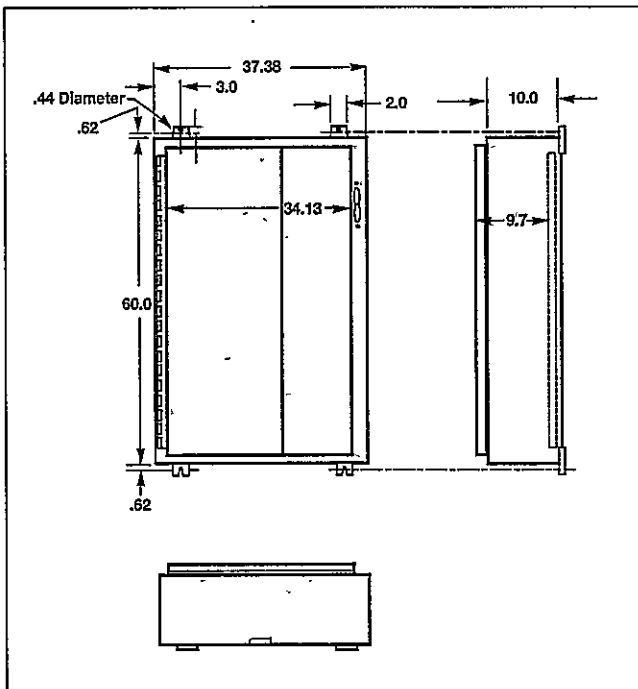
## Type 3 - LMD3R

An outdoor, sheet-steel enclosure providing protection against driving rain, sleet or snow. Listed as service-entrance equipment.

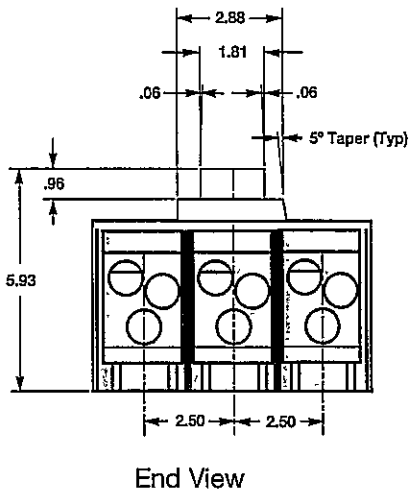
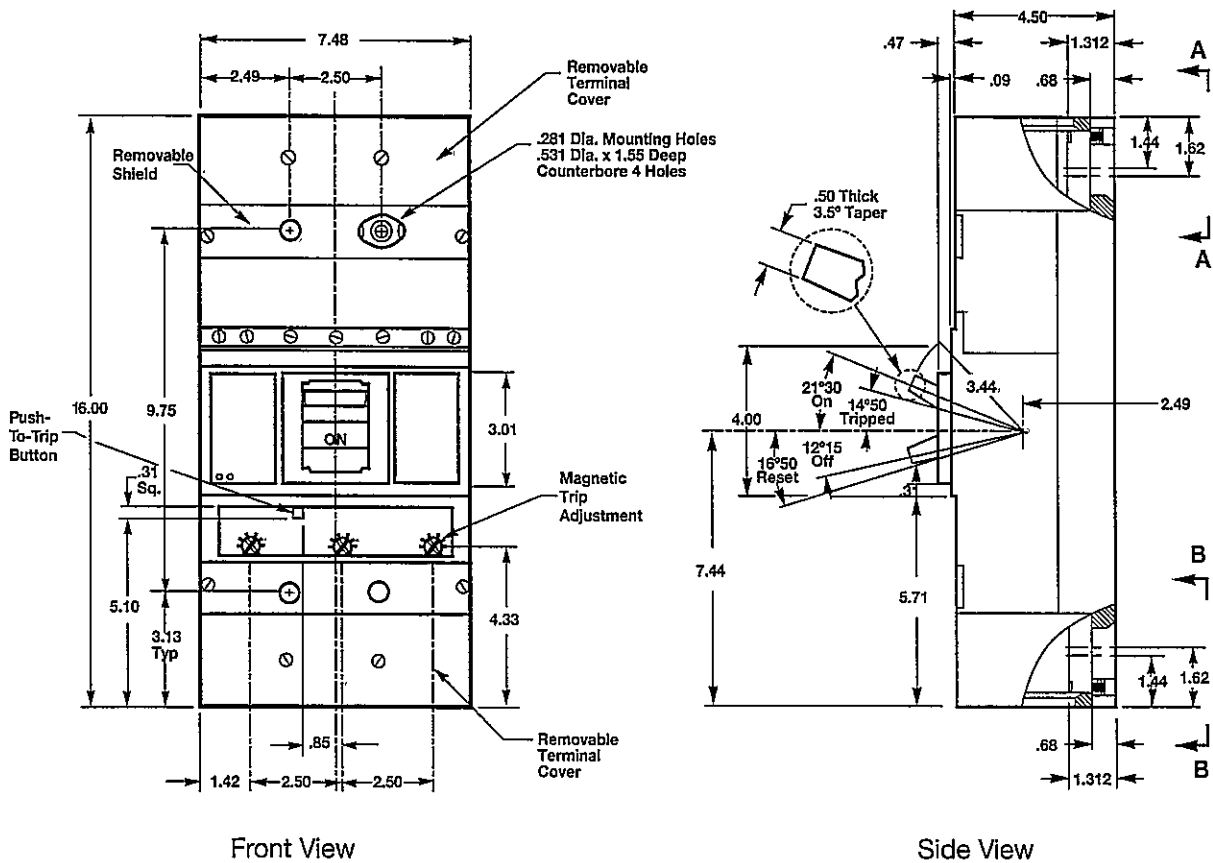


## Type 12 - LMD12

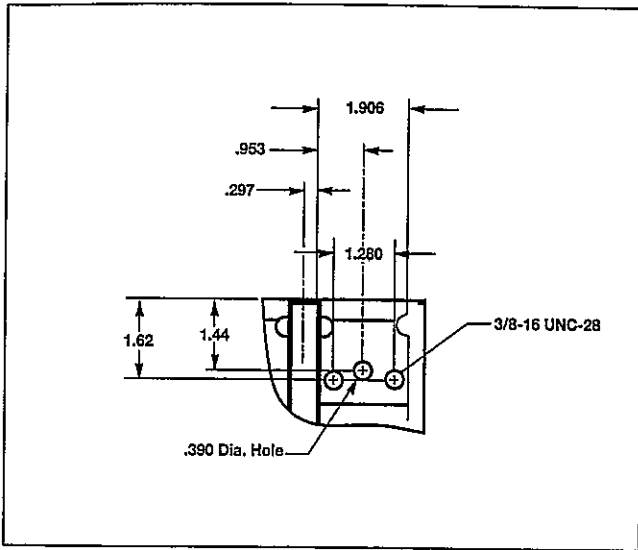
A special-industry, sheet-steel enclosure for indoor use in atmosphere containing particles of lint, dust, dirt, sawdust and other foreign matter.



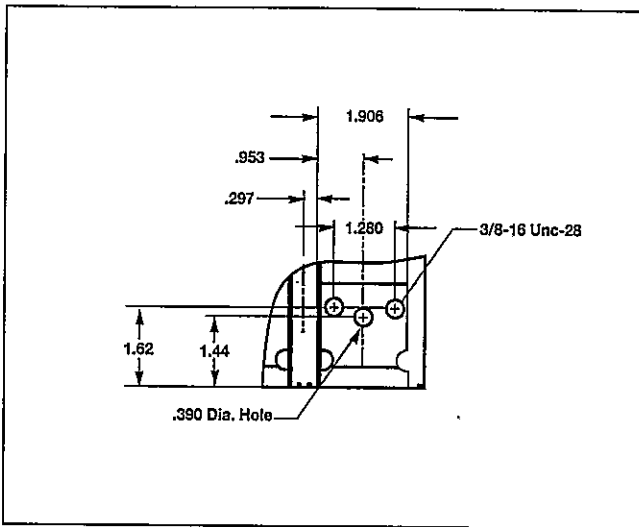
# I-T-E LMD-Frame Outline Dimension Drawings



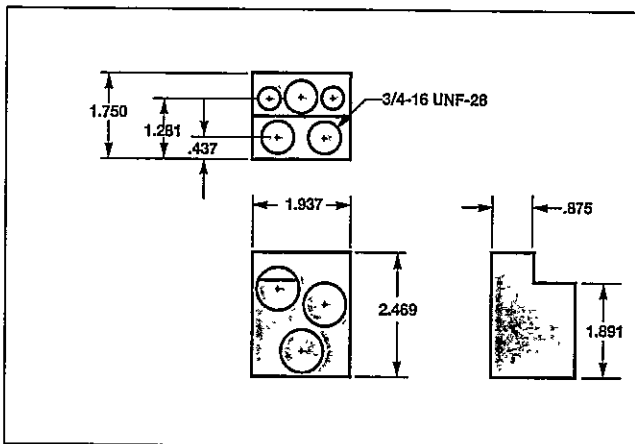
# I-T-E LMD-Frame Outline Dimension Drawings



Section AA (Side View)



Section BB (Side View)



TA3K500 Terminal Connector

## Standard Mechanical Type Connectors

Catalog Number	Ampere Rating	Connector Wire Range (S)	Dimensions	Set Screw Torque
TA3K500	500-800A	(1-3) #1/0-500 Kcmil Cu-Al	1 <sup>1</sup> / <sub>8</sub> x 1 <sup>1</sup> / <sub>4</sub> x 2 <sup>1</sup> / <sub>8</sub>	375 in.-lbs.

## Optional Mechanical Type Connectors

Catalog Number	Ampere Rating	Connector Wire Range (S)	Dimensions	Set Screw Torque
TA2N750	500-800A	(2) 600-750 Kcmil Cu-Al	2 <sup>1</sup> / <sub>2</sub> x 1 <sup>1</sup> / <sub>4</sub> x 2 <sup>1</sup> / <sub>8</sub>	375 in.-lbs.

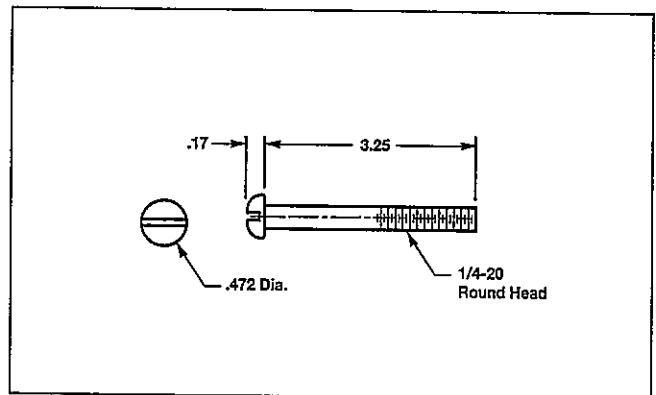
## Handle Forces

(Forces shown in pounds)

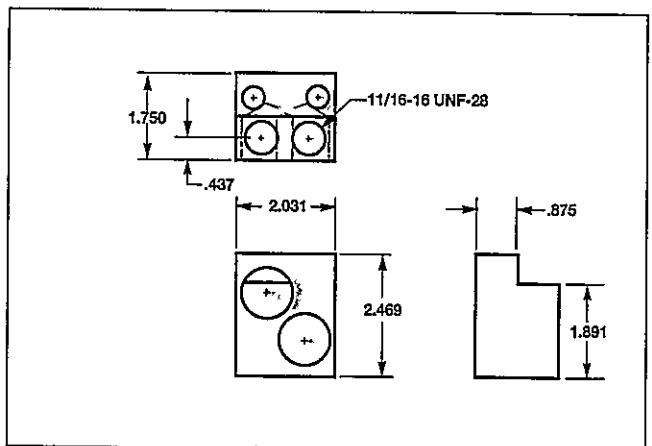
Operating Action	800A
Off to On	22
On to Off	36
Tripped to reset	48

## Shipping Weight

Frame	28 lbs.
Trip Unit	3 lbs.
Breaker	31 lbs.



Breaker Mounting Hardware



TA2N750 Terminal Connector

# Siemens Energy & Automation Sales Offices

## Alabama

Birmingham  
(205) 879-7030  
Mobile  
(205) 621-0822  
Montgomery  
(205) 271-4486

## Alaska

Anchorage  
(907) 346-2489

## Arizona

Phoenix  
(602) 944-7900

## Arkansas

Little Rock  
(501) 661-9008

## California

Fresno  
(209) 264-5018  
Los Angeles  
(714) 979-6600  
Sacramento  
(916) 631-9433  
San Diego  
(619) 569-8015  
San Francisco  
(510) 429-1200

## Colorado

Colorado Springs  
(719) 473-7880  
Denver  
(303) 694-3770  
Ft. Collins  
(303) 223-2712

## Connecticut

Wallingford  
(203) 265-5003

## Florida

Ft. Lauderdale  
(305) 484-3888  
Fort Myers  
(813) 656-3605  
Jacksonville  
(904) 363-0087  
Miami  
(305) 592-4106  
Orlando  
(407) 894-7771  
Tampa  
(813) 287-2356

West Palm Beach  
(407) 683-5185

## Georgia

Atlanta  
(404) 458-4353  
Macon  
(912) 743-8994  
Savannah  
(912) 354-5092

## Hawaii

Honolulu  
(808) 591-8133

## Idaho

Boise  
(208) 342-6852

## Illinois

Chicago  
(708) 310-5900  
Peoria  
(309) 688-8729

## Indiana

Evansville  
(812) 422-9176  
Fort Wayne  
(219) 483-6999  
Indianapolis  
(317) 848-5500  
South Bend  
(219) 232-6050

## Iowa

Davenport  
(319) 359-1357  
Des Moines  
(515) 280-1614

## Kansas

Kansas City  
(913) 491-3740  
Wichita  
(316) 942-1409

## Kentucky

Louisville  
(502) 426-4647

## Louisiana

Baton Rouge  
(504) 293-6874  
New Orleans  
(504) 837-8500  
Shreveport  
(318) 424-0720

## Maine

Portland  
(207) 854-0021

## Maryland

Landover  
(301) 459-2044

## Massachusetts

Andover  
(508) 685-6077  
Springfield  
(413) 562-7994  
Worcester  
(508) 792-4566

## Michigan

Detroit  
(810) 253-1000  
Grand Rapids  
(616) 530-9777

## Minnesota

Minneapolis  
(612) 942-8888

## Mississippi

Jackson  
(601) 936-9360

## Missouri

Kansas City  
(913) 491-3740  
St. Louis  
(314) 567-3900  
Sunrise Beach  
(314) 374-2737

## Nebraska

Omaha  
(402) 397-1940

## Nevada

Las Vegas  
(702) 734-1022

## New Hampshire

Manchester  
(603) 626-0702

## New Jersey

Cranford  
(908) 276-7227

## New Mexico

Albuquerque  
(505) 881-1611

## New York

Albany  
(518) 482-0790  
Buffalo  
(716) 834-3815  
Long Island  
(516) 484-3590  
Syracuse  
(315) 453-3780

## North Carolina

Asheville  
(704) 253-8299  
Charlotte  
(704) 536-1201  
Greensboro  
(919) 852-1758  
Raleigh  
(919) 782-3365  
Wilmington  
(919) 313-0034

## North Dakota

Bismarck  
(701) 258-9555  
Fargo  
(701) 293-7709

## Ohio

Cincinnati  
(513) 398-9288  
Cleveland  
(216) 642-0701  
Columbus  
(614) 766-2204  
Dayton  
(513) 279-0458  
Toledo  
(419) 893-7197  
Wooster  
(216) 262-3268

## Oklahoma

Oklahoma City  
(405) 235-7515  
Tulsa  
(918) 665-1806

## Oregon

Eugene  
(503) 683-2111  
Portland  
(503) 635-6700

## Pennsylvania

Philadelphia  
(215) 646-3800  
Pittsburgh  
(412) 788-8060  
York  
(717) 854-9776

## Rhode Island

Providence  
(401) 732-9966

## South Carolina

Charleston  
(803) 884-9646  
Columbia  
(803) 359-7715  
Greenville  
(803) 288-3490

## Tennessee

Chattanooga  
(615) 267-7412  
Johnson City  
(615) 282-2718  
Knoxville  
(615) 690-5172  
Memphis  
(901) 761-2123  
Nashville  
(615) 367-9403

## Texas

Austin  
(512) 416-0181  
Dallas  
(214) 247-4481  
El Paso  
(915) 857-4218  
Fort Worth  
(817) 838-9770  
Houston  
(713) 690-3000  
McAllen  
(210) 687-2072  
San Antonio  
(210) 377-3292

## Utah

Salt Lake City  
(801) 266-9612

## Virginia

Richmond  
(804) 288-8311  
Roanoke  
(703) 982-2776  
Virginia Beach  
(804) 486-0174

## Washington

Seattle  
(206) 828-6600  
Spokane  
(509) 325-2582  
Tacoma  
(206) 926-7663

## Washington, D.C.

(301) 459-2044

## West Virginia

(304) 522-9732

## Wisconsin

Green Bay  
(414) 336-1144  
Milwaukee  
(414) 774-9500

## Canada

Mississauga,  
Ontario  
(416) 564-1995  
Pointe Claire,  
Quebec  
(514) 695-7300  
Vancouver,  
British Columbia  
(604) 321-8687

## International

TLX: 822024SEA

IBU UF

Fax: (404) 751-2496

Phone: (404) 751-2291

Siemens Energy & Automation, Inc.  
Distribution & Controls Division  
3333 State Bridge Road  
Alpharetta, GA 30202