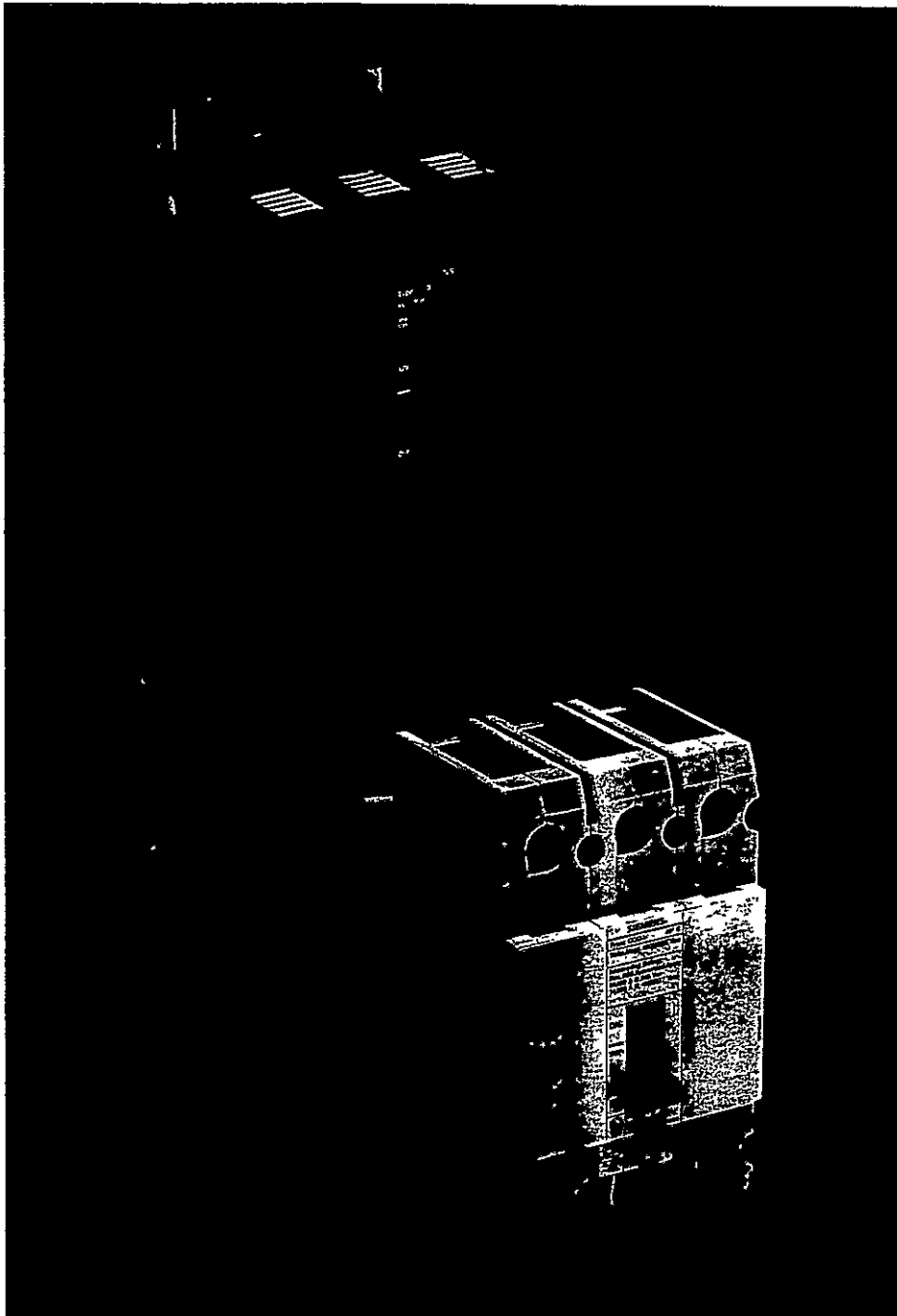


## Molded Case Circuit Breakers

### BQD/CQD Type Circuit Breakers Product Bulletin

- UL Listed
- Compact Size
- Single Handle
- Glass Polyester Housing
- Common Trip
- Quick-make  
Quick-break  
Trip free Mechanism
- 1, 2 or 3 Pole Units
- UL Listed Field  
Addable Accessories



# General Information

The BQD and CQD type circuit breakers are 1 inch pole width similar to the BQ, BL and ED type circuit breakers. They are available in 1, 2 or 3 pole configurations, with voltage ratings of 120, 240, 277 and 480/277V AC and interruption ratings up to 65,000 amperes.

### Specifications:

1, 2, 3 Poles  
15-100 Amperes, 120, 240, 277, 480Y/277V AC  
50/60 Hz

125, 125/250V DC

Meets or exceeds Federal Specifications  
W-C-375b

1 Pole 120V AC 11a  
1 Pole 277V AC 12c, 13a

2, 3 Poles 240V AC 10b, 11b, 12b, 14b, 15b  
2, 3 Poles 480/277 13b

UL Listed File #E10848  
Conforms to NEMA AB1  
CSA C22.2 #5

Due to their compact size, the BQD/CQD Type circuit breakers are well suited for OEM designed equipment in both light commercial and industrial applications.

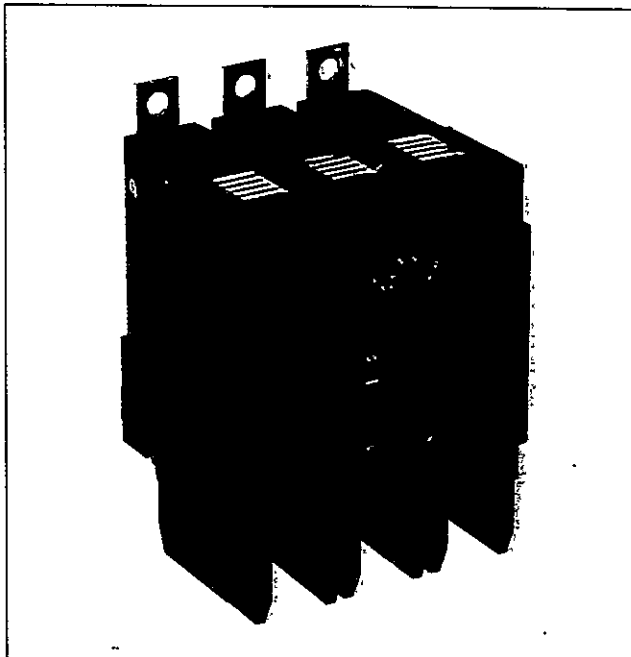
### Application:

- 1, 2, 3 Poles 15-100 Amperes are HACR marked.
- 1 Pole 15-20 Amperes SWD marked for fluorescent lighting applications.
- 1 Pole 15-30 Amperes tested and marked HID
- Suitable for reverse feed applications.
- CQD—Independently mounted on customer supplied DIN rail or bolted directly to surface.
- Not suitable for 3 phase delta 480V AC grounded "B" phase applications

### Terminal Connectors UL listed for 60/75C CU AL

BQD: Load end only	
CQD: Line and Load ends	
15-40 Amperes	#14 - #6 AWG CU #12 - #6 AWG AL
45-100 Amperes	#8 - #1 AWG CU #6 - #1/0 AWG AL

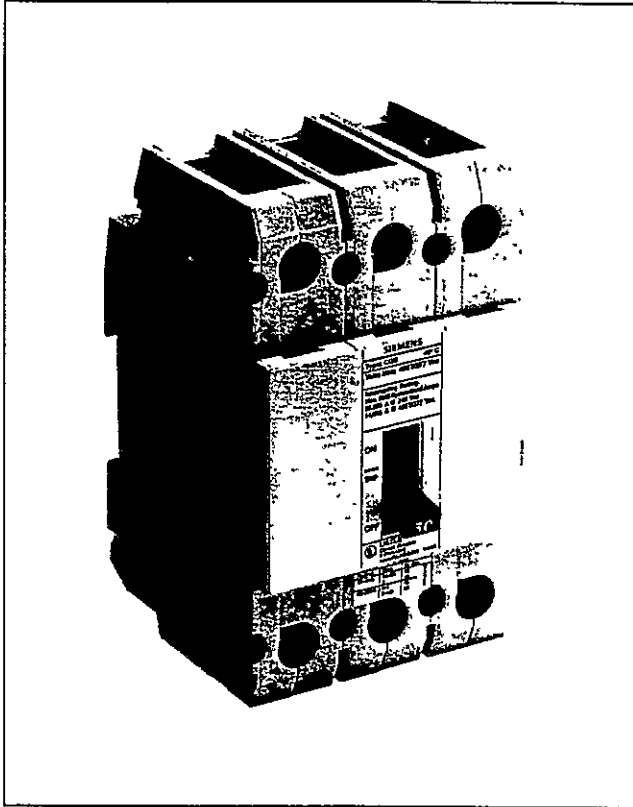
## Ordering Information



### BQD Catalog Numbers

Maximum Continuous Current Rating @ 40°C	1 Pole 120V AC 125V DC Catalog Number	2 Pole 480Y/277V AC 125/250V DC Catalog Number	3 Pole 480Y/277V AC Catalog Number
15	BQD115	BQD215	BQD315
20	BQD120	BQD220	BQD320
25	BQD125	BQD225	BQD325
30	BQD130	BQD230	BQD330
35	BQD135	BQD235	BQD335
40	BQD140	BQD240	BQD340
45	BQD145	BQD245	BQD345
50	BQD150	BQD250	BQD350
60	BQD160	BQD260	BQD360
70	BQD170	BQD270	BQD370
80	BQD180	BQD280	BQD380
90	BQD190	BQD290	BQD390
100	BQD1100	BQD2100	BQD3100

# Ordering Information



## CQD Catalog Numbers

Maximum Continuous Current Rating @ 40C	1 Pole: 120V AC 125V DC Catalog Number	2 Pole: 480Y/277V AC 125/250V DC Catalog Number	3 Pole: 480Y/277V AC Catalog Number
15	CQD115	CQD215	CQD315
20	CQD120	CQD220	CQD320
25	CQD125	CQD225	CQD325
30	CQD130	CQD230	CQD330
35	CQD135	CQD235	CQD335
40	CQD140	CQD240	CQD340
45	CQD145	CQD245	CQD345
50	CQD150	CQD250	CQD350
60	CQD160	CQD260	CQD360
70	CQD170	CQD270	CQD370
80	CQD180	CQD280	CQD380
90	CQD190	CQD290	CQD390
100	CQD1100	CQD2100	CQD3100

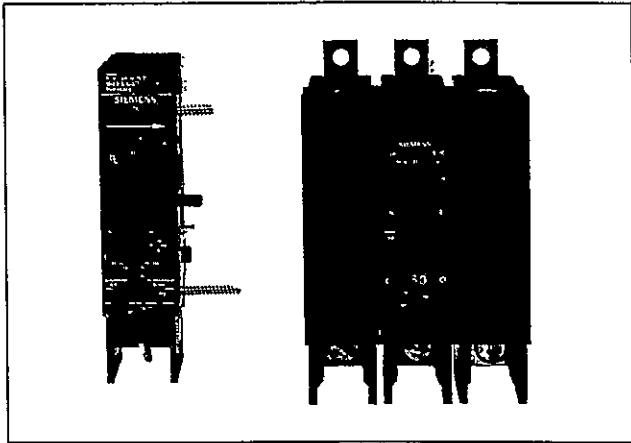
## UL Interrupting Ratings

Breaker Type BQD/CQD

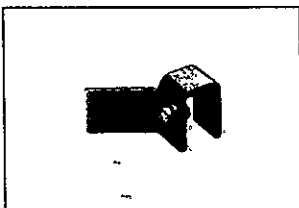
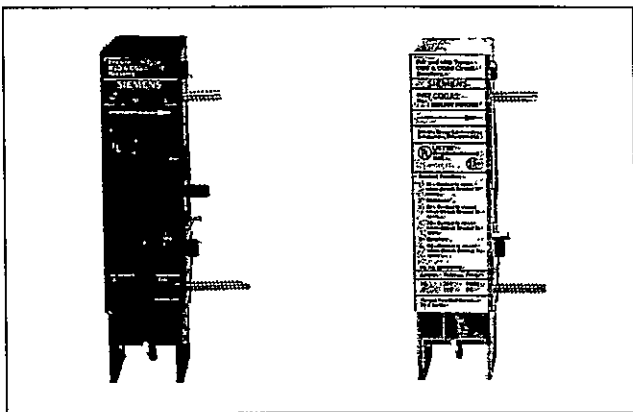
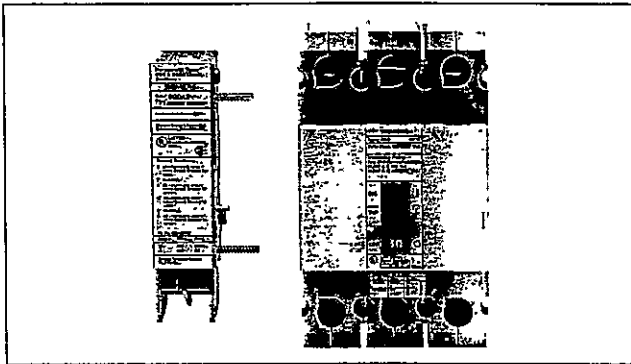
Number of Poles	RMS Symmetrical (kA) UL Air				Interrupting Amperes (kA) DC Voltage	
	AC Voltage				125	125/250
	120	240	277	480Y/277		
1	65	—	14	—	14	—
2	—	65	—	14	—	14
3	—	65	—	14	—	—

# Accessories

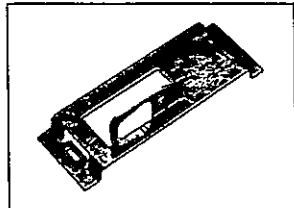
## BQD



## CQD



Handle Padlocking Device  
BQDHBD



Handle Blocking Device  
BQDPLD

## BQD Shunt Trip/Undervoltage Devices

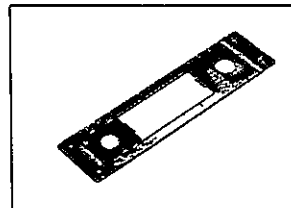
Control Voltage		Customer Supply		Monitored Voltage	
V AC	V DC	Shunt Trip Catalog Number	Current Draw	Undervoltage Catalog Number	Current Draw
120		BQDST120	.09A	BQDUV120	
240		BQDST240	.50A	BQDUV240	
277		BQDST277	.55A	BQDUV277	
480		BQDST480	.45A	BQDUV480	
600		BQDST600	.50A	BQDUV600	
	12	BQDST12	1.20A	BQDUV12	
	24	BQDST24	.80A	BQDUV24	
	48	BQDST48	.80A	BQDUV48	
	125	BQDST125	.35A	BQDUV125	

## CQD Shunt Trip/Undervoltage Devices

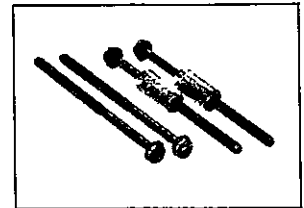
Control Voltage		Shunt Trip Catalog Number	Current Draw	Undervoltage Catalog Number	Current Draw
V AC	V DC				
120		CQDST120	.09A	CQDUV120	
240		CQDST240	.50A	CQDUV240	
277		CQDST277	.55A	CQDUV277	
480		CQDST480	.45A	CQDUV480	
600		CQDST600	.50A	CQDUV600	
	12	CQDST12	1.20A	CQDUV12	
	24	CQDST24	.80A	CQDUV24	
	48	CQDST48	.80A	CQDUV48	
	125	CQDST125	.35A	CQDUV125	

## BQD/CQD Auxiliary Switch/Bell Alarm Devices

	Aux. Switch	Max. Current Rating	Alarm Switch	Max. Current Rating
BQD	1a-1b Contact BQDA1 2a-2b Contacts BQDA2	15A @ 250V AC .25A @ 125V DC	1a-1b Contact BQDBA	15A @ 250V AC .25A @ 125V DC
CQD	1a-1b Contact CQDA1 2a-2b Contacts CQDA2		1a-1b Contact CQDBA	

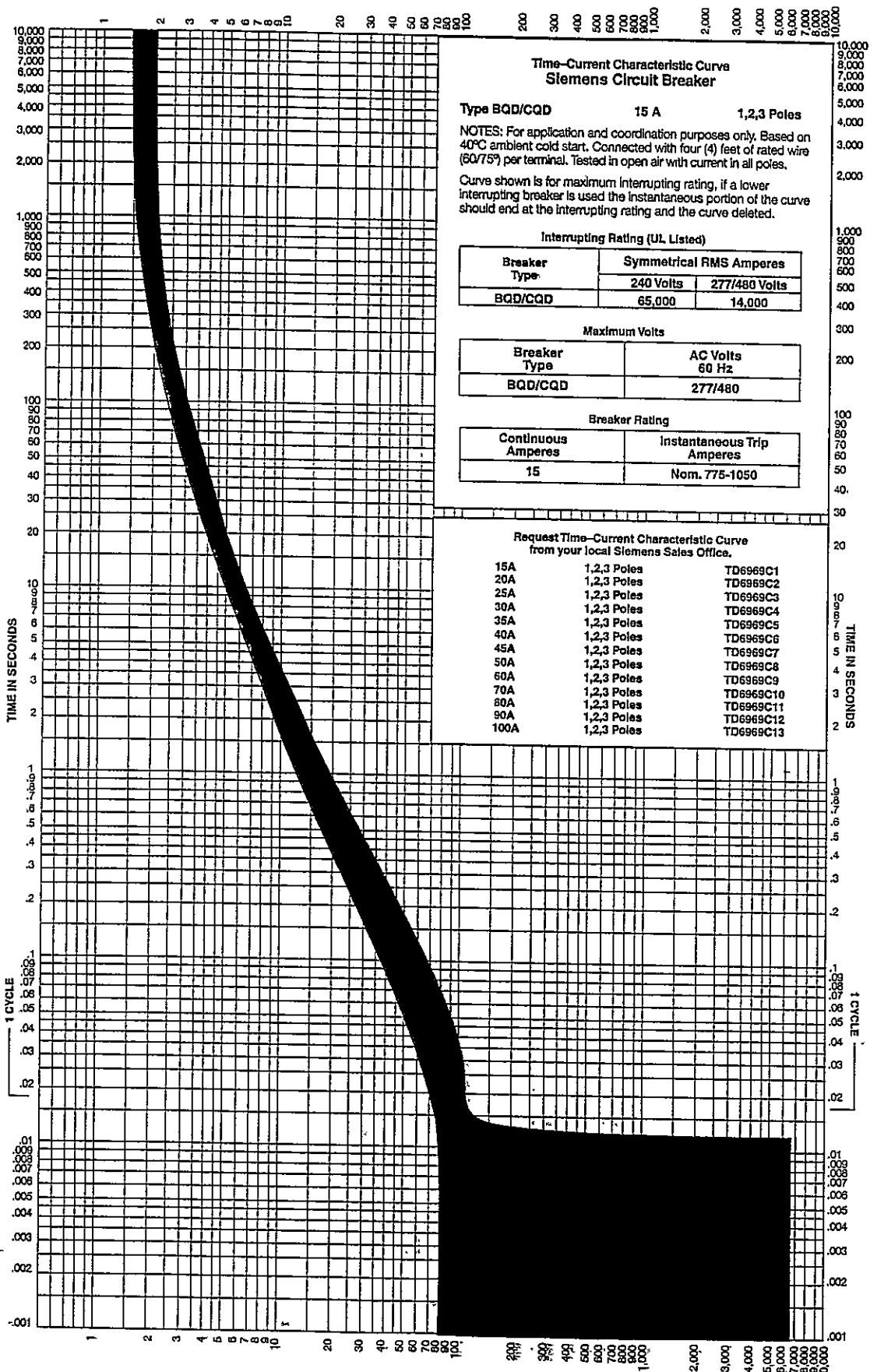


Face Plate-Mounting  
1 Pole CQDFMB1  
2 Pole CQDFMB2  
3 Pole CQDFMB3



Mounting Hardware Kit  
CQDSMK

# BQD/CQD Time Current Curve - Example



### Time-Current Characteristic Curve Siemens Circuit Breaker

Type BQD/CQD      15 A      1,2,3 Poles

NOTES: For application and coordination purposes only. Based on 40°C ambient cold start. Connected with four (4) feet of rated wire (60/75) per terminal. Tested in open air with current in all poles.

Curve shown is for maximum interrupting rating, if a lower interrupting breaker is used the instantaneous portion of the curve should end at the interrupting rating and the curve deleted.

#### Interrupting Rating (UL Listed)

Breaker Type	Symmetrical RMS Amperes	
	240 Volts	277/480 Volts
BQD/CQD	65,000	14,000

#### Maximum Volts

Breaker Type	AC Volts 60 Hz
BQD/CQD	277/480

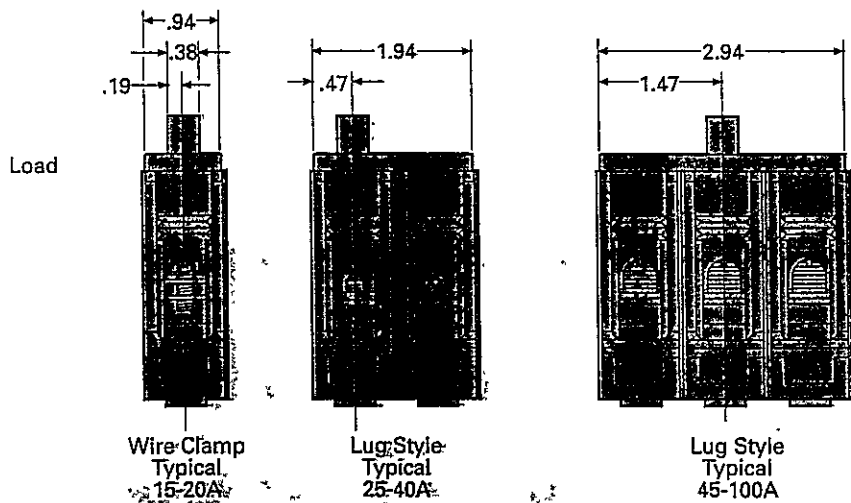
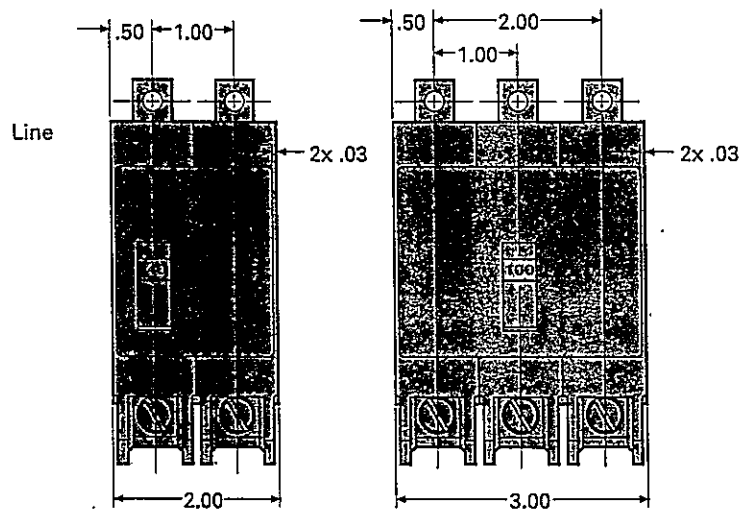
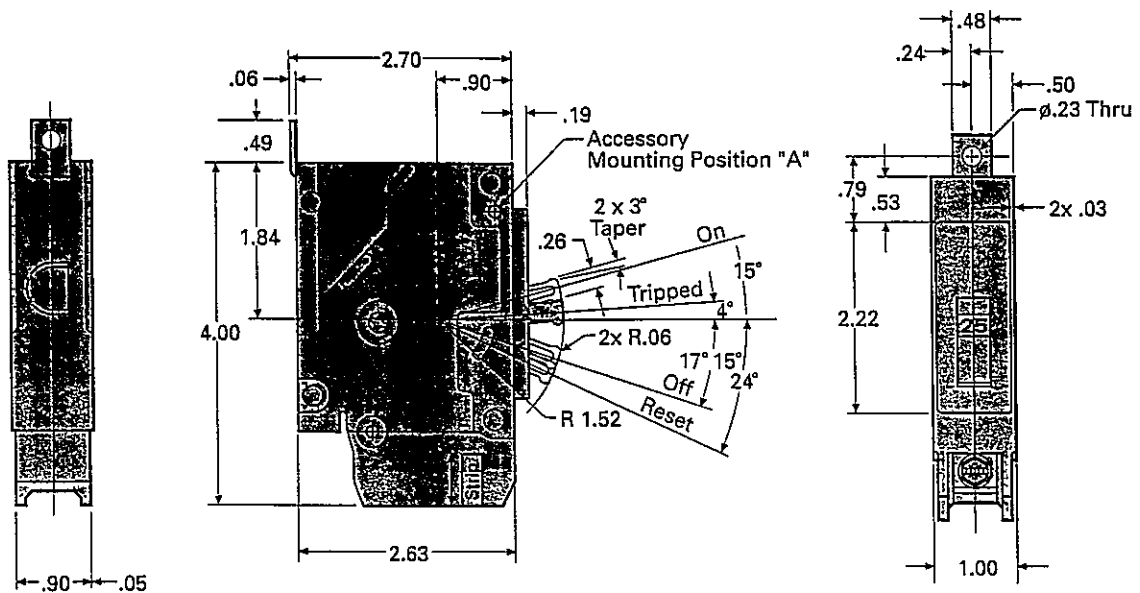
#### Breaker Rating

Continuous Amperes	Instantaneous Trip Amperes
15	Nom. 775-1050

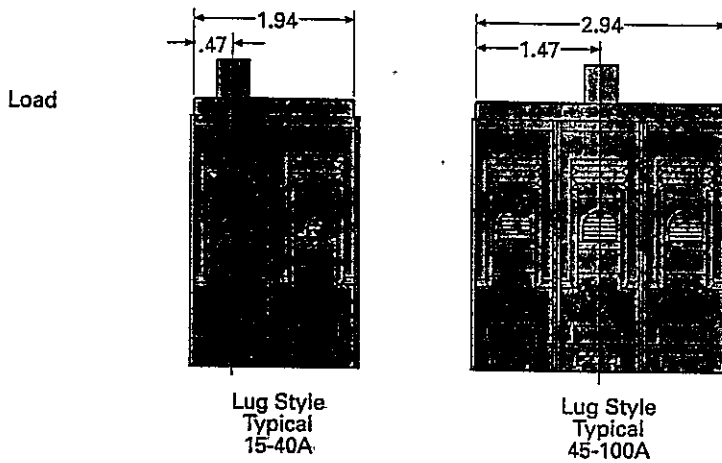
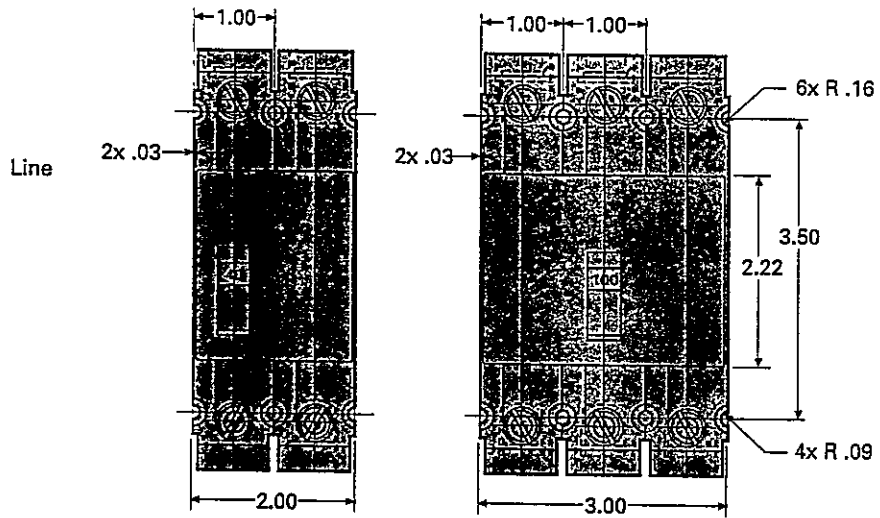
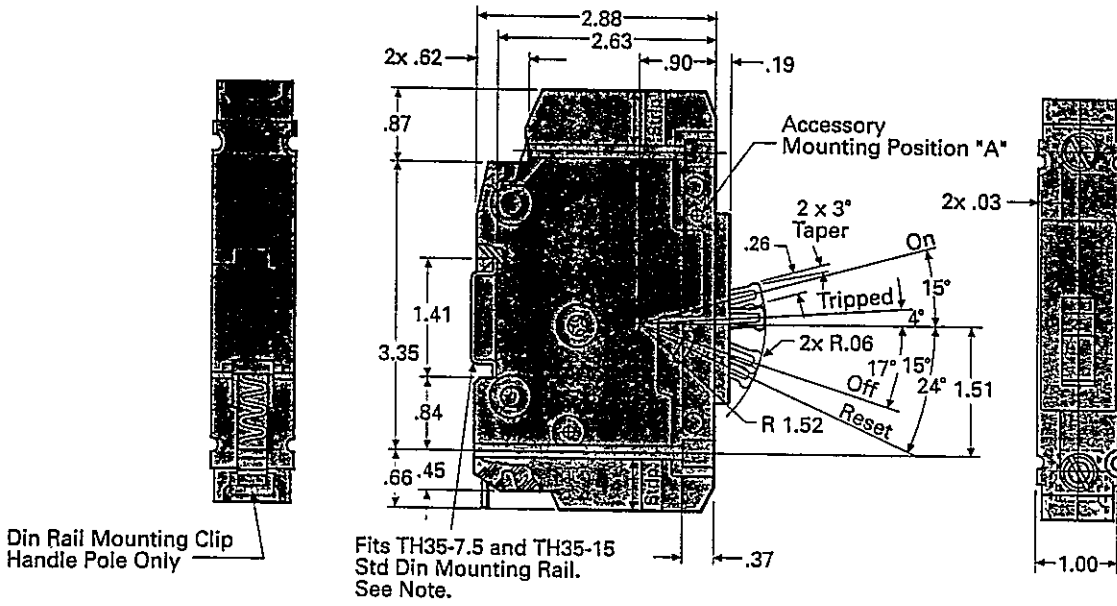
#### Request Time-Current Characteristic Curve from your local Siemens Sales Office.

15A	1,2,3 Poles	TD6969C1
20A	1,2,3 Poles	TD6969C2
25A	1,2,3 Poles	TD6969C3
30A	1,2,3 Poles	TD6969C4
35A	1,2,3 Poles	TD6969C5
40A	1,2,3 Poles	TD6969C6
45A	1,2,3 Poles	TD6969C7
50A	1,2,3 Poles	TD6969C8
60A	1,2,3 Poles	TD6969C9
70A	1,2,3 Poles	TD6969C10
80A	1,2,3 Poles	TD6969C11
90A	1,2,3 Poles	TD6969C12
100A	1,2,3 Poles	TD6969C13

# BQD Outline Drawings



# CQD Outline Drawings



Note: Refer to IEC Publication 715 for DIN Rail dimensional standards.

# Siemens Energy & Automation Sales Offices

## Alabama

Birmingham  
(205) 879-7030  
Mobile  
(334) 621-0822  
Montgomery  
(334) 271-4486

## Alaska

Anchorage  
(907) 346-2489

## Arizona

Phoenix  
(602) 944-7956

## Arkansas

Little Rock  
(501) 897-1385

## California

Fresno  
(209) 264-5018  
Los Angeles  
(714) 979-6600  
Sacramento  
(916) 631-9433  
San Diego  
(619) 569-8015  
San Francisco  
(510) 429-1200

## Colorado

Colorado Springs  
(719) 473-7880  
Denver  
(303) 694-3770  
Ft. Collins  
(303) 223-2712

## Connecticut

Wallingford  
(203) 265-5003

## Florida

Ft. Lauderdale  
(305) 484-3888  
Fort Myers  
(813) 656-3605  
Jacksonville  
(904) 363-0087  
Miami  
(305) 592-4106  
Orlando  
(407) 894-7771  
Tampa  
(813) 287-2450  
West Palm Beach  
(407) 627-7408

## Georgia

Atlanta  
(770) 458-4353  
Macon  
(912) 745-6393  
Savannah  
(912) 354-5092

## Hawaii

Honolulu  
(808) 533-7135

## Idaho

Boise  
(208) 342-6852

## Illinois

Chicago  
(847) 310-6500  
Peoria  
(309) 689-0823

## Indiana

Evansville  
(812) 422-9176  
Fort Wayne  
(219) 490-6999  
Indianapolis  
(317) 848-5500  
South Bend  
(219) 232-8050

## Iowa

Des Moines  
(515) 280-1614

## Kansas

Wichita  
(316) 942-1409

## Kentucky

Louisville  
(502) 426-4647

## Louisiana

Baton Rouge  
(504) 387-6987  
New Orleans  
(504) 837-8500  
Shreveport  
(318) 424-0720

## Maine

Portland  
(207) 854-0021

## Maryland

Landover  
(301) 459-2044

## Massachusetts

Andover  
(508) 685-6077  
Worcester  
(508) 792-4566

## Michigan

Detroit  
(810) 253-1000  
Grand Rapids  
(616) 530-9777

## Minnesota

Minneapolis  
(612) 942-8888

## Mississippi

Jackson  
(601) 936-9360

## Missouri

Kansas City  
(913) 491-3740  
St. Louis  
(314) 567-3900

## Nebraska

Omaha  
(402) 397-1940

## Nevada

Las Vegas  
(702) 734-1022

## New Hampshire

Manchester  
(603) 626-0702

## New Jersey

Cranford  
(908) 276-7227

## New Mexico

Albuquerque  
(505) 881-1611

## New York

Albany  
(518) 365-4569  
Buffalo  
(716) 834-3815  
Long Island  
(516) 484-7560  
Syracuse  
(315) 453-2935

## North Carolina

Asheville  
(704) 253-8299  
Charlotte  
(704) 536-1201  
Greensboro  
(910) 852-1758  
Raleigh  
(919) 782-3365  
Wilmington  
(910) 313-0034

## North Dakota

Bismarck  
(701) 258-9555  
Fargo  
(701) 293-7709

## Ohio

Cincinnati  
(513) 398-9288  
Cleveland  
(216) 642-0701  
Columbus  
(614) 766-2204  
Dayton  
(513) 279-0458  
Toledo  
(419) 893-7197  
Wooster  
(216) 262-3268

## Oklahoma

Oklahoma City  
(405) 235-7515  
Tulsa  
(918) 665-1806

## Oregon

Portland  
(503) 635-6700

## Pennsylvania

Philadelphia  
(215) 646-3800  
Pittsburgh  
(412) 788-8060  
York  
(717) 854-9776

## Rhode Island

Providence  
(401) 732-9966

## South Carolina

Columbia  
(803) 359-7715  
Greenville  
(803) 288-3490

## Tennessee

Chattanooga  
(423) 267-7412  
Johnson City  
(423) 434-9270  
Knoxville  
(615) 690-5172  
Memphis  
(901) 761-2123  
Nashville  
(615) 367-9403

## Texas

Austin  
(512) 416-0181  
Dallas  
(817) 652-9653  
Fort Worth  
(817) 838-9770  
Houston  
(713) 690-3000  
San Antonio  
(210) 525-7845

## Utah

Salt Lake City  
(801) 266-9612

## Virginia

Richmond  
(804) 288-8311  
Roanoke  
(703) 982-2776  
Virginia Beach  
(804) 486-0174

## Washington

Seattle  
(206) 828-6600  
Spokane  
(509) 468-3717  
Tacoma  
(206) 926-7663

## Washington, D.C.

(301) 459-2044

## West Virginia

(304) 522-9732

## Wisconsin

Green Bay  
(414) 336-1144  
Milwaukee  
(414) 774-9500

## Canada

Mississauga,  
Ontario  
(905) 819-8000  
Pointe Claire,  
Quebec  
(514) 695-7300  
Vancouver,  
British Columbia  
(604) 435-0880

## International

Tel: (770) 751-2291  
Fax: (770) 751-2496  
TLX: 822024SEA  
IBU UF

Siemens Energy & Automation, Inc.  
Distribution Products Division  
3333 Old Milton Parkway  
Alpharetta, GA 30202