



# General Information

The QJ Frame circuit breaker family is designed for protection of branch and feeder circuits in either industrial or commercial applications. Due to the high continuous ampere ratings, interrupting ratings and compact size QJ Frame circuit breakers are suited for use as mains in load centers, lighting panelboards and metering centers. They are also ideal for installation in distribution panelboards, control panels, motor control centers and individual enclosures.

### Specifications:

2, 3 Poles  
60-225 Amperes, 240V AC 60 Hz

| UL    | Interruption Ratings |
|-------|----------------------|
| QJ2   | 10kA                 |
| QJH2  | 22kA                 |
| QJ2H  | 42kA                 |
| HQJ2H | 100kA                |

Meets or exceeds Federal Specifications

W-C-375b

2, 3 Poles 240V AC 12b, 14b, 15b

UL Listed File #E10848

Calibrated for 40C application

Listed in accordance to CSA-C22.2 No. 5

### Application:

- 60-200 Amperes QJ2 type breakers are available UL listed 400Hz, 5000AIC.
- Available with non-UL 50C calibration for application in areas having enclosed temperatures greater than 40C.
- Quick-Make, Quick-Break over center toggle mechanism.
- Trip-Free toggle mechanism
- RMS Sensing
- Suitable for reverse connection

### Actuating Forces

|          |        |
|----------|--------|
| Reset    | 18lbs. |
| Turn on  | 17lbs. |
| Turn off | 2lbs.  |

### Terminal Connectors UL listed for 60/75C CU/AL

|                                 |                                                |
|---------------------------------|------------------------------------------------|
| TA1Q300                         | 1pc #6-300kcmil CU<br>or<br>1pc #4-300kcmil AL |
| TC1Q250                         | 1pc #6-250kcmil CU                             |
| Compression Connector<br>CCQ225 | 1pc #6-350kcmil CU/AL                          |

# Ordering Information

## Type QJ2 10kA

| Ampere Rating | 2 Pole Catalog Number | 3 Pole Catalog Number |
|---------------|-----------------------|-----------------------|
| 60            | QJ22B060              | QJ23B060              |
| 70            | QJ22B070              | QJ23B070              |
| 80            | QJ22B080              | QJ23B080              |
| 90            | QJ22B090              | QJ23B090              |
| 100           | QJ22B100              | QJ23B100              |
| 110           | QJ22B110              | QJ23B110              |
| 125           | QJ22B125              | QJ23B125              |
| 150           | QJ22B150              | QJ23B150              |
| 175           | QJ22B175              | QJ23B175              |
| 200           | QJ22B200              | QJ23B200              |
| 225           | QJ22B225              | QJ23B225              |

## Type QJH2 22kA

| Ampere Rating | 2 Pole Catalog Number | 3 Pole Catalog Number |
|---------------|-----------------------|-----------------------|
| 60            | QJH22B070             | QJH23B070             |
| 70            | QJH22B080             | QJH23B070             |
| 80            | QJH22B080             | QJH23B080             |
| 90            | QJH22B090             | QJH23B090             |
| 100           | QJH22B100             | QJH23B100             |
| 110           | QJH22B110             | QJH23B110             |
| 125           | QJH22B125             | QJH23B125             |
| 150           | QJH22B150             | QJH23B150             |
| 175           | QJH22B175             | QJH23B175             |
| 200           | QJH22B200             | QJH23B200             |
| 225           | QJH22B225             | QJH23B225             |

## Molded Case Switch

| Ampere Rating | 2 Pole Catalog Number | 3 Pole Catalog Number |
|---------------|-----------------------|-----------------------|
| 225           | QJ22S225A             | QJ23S225A             |

# Ordering Information

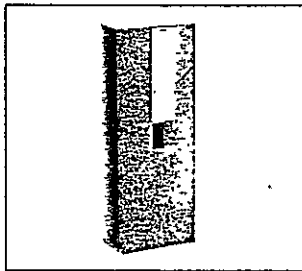
## Type QJ2H 42kA

| Ampere Rating | 2 Pole Catalog Number | 3 Pole Catalog Number |
|---------------|-----------------------|-----------------------|
| 60            | QJ22B060H             | QJ23B060H             |
| 70            | QJ22B070H             | QJ23B070H             |
| 80            | QJ22B080H             | QJ23B080H             |
| 90            | QJ22B090H             | QJ23B090H             |
| 100           | QJ22B100H             | QJ23B100H             |
| 110           | QJ22B110H             | QJ23B110H             |
| 125           | QJ22B125H             | QJ23B125H             |
| 150           | QJ22B150H             | QJ23B150H             |
| 175           | QJ22B175H             | QJ23B175H             |
| 200           | QJ22B200H             | QJ23B200H             |
| 225           | QJ22B225H             | QJ23B225H             |

## Type HQJ2H 100kA

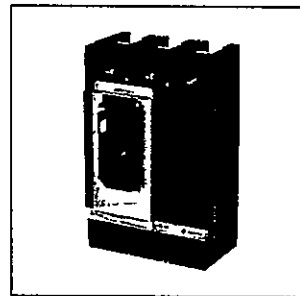
| Ampere Rating | 2 Pole Catalog Number | 3 Pole Catalog Number |
|---------------|-----------------------|-----------------------|
| 60            | HQJ22B070H            | HQJ23B070H            |
| 70            | HQJ22B080H            | HQJ23B070H            |
| 80            | HQJ22B080H            | HQJ23B080H            |
| 90            | HQJ22B090H            | HQJ23B090H            |
| 100           | HQJ22B100H            | HQJ23B100H            |
| 110           | HQJ22B110H            | HQJ23B110H            |
| 125           | HQJ22B125H            | HQJ23B125H            |
| 150           | HQJ22B150H            | HQJ23B150H            |
| 175           | HQJ22B175H            | HQJ23B175H            |
| 200           | HQJ22B200H            | HQJ23B200H            |
| 225           | HQJ22B225H            | HQJ23B225H            |

## Accessories

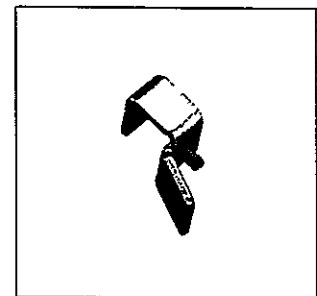


EB3225

| Enclosures |                |
|------------|----------------|
| Type       | Catalog Number |
| Type 1     | EB3225(S) (F)  |
| Type 3R    | WB225 (2 Pole) |
| Type 3R    | WB325 (3 Pole) |

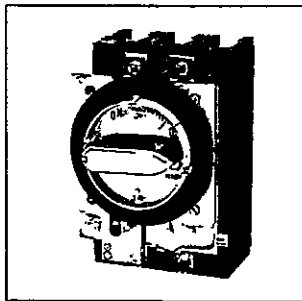


HL9419

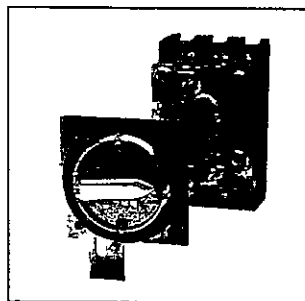


QJHS1

## Handle Operators



QJ9496 (RH)  
QJ9498 (LH)



VH9497 (RH)  
VH9499 (LH)

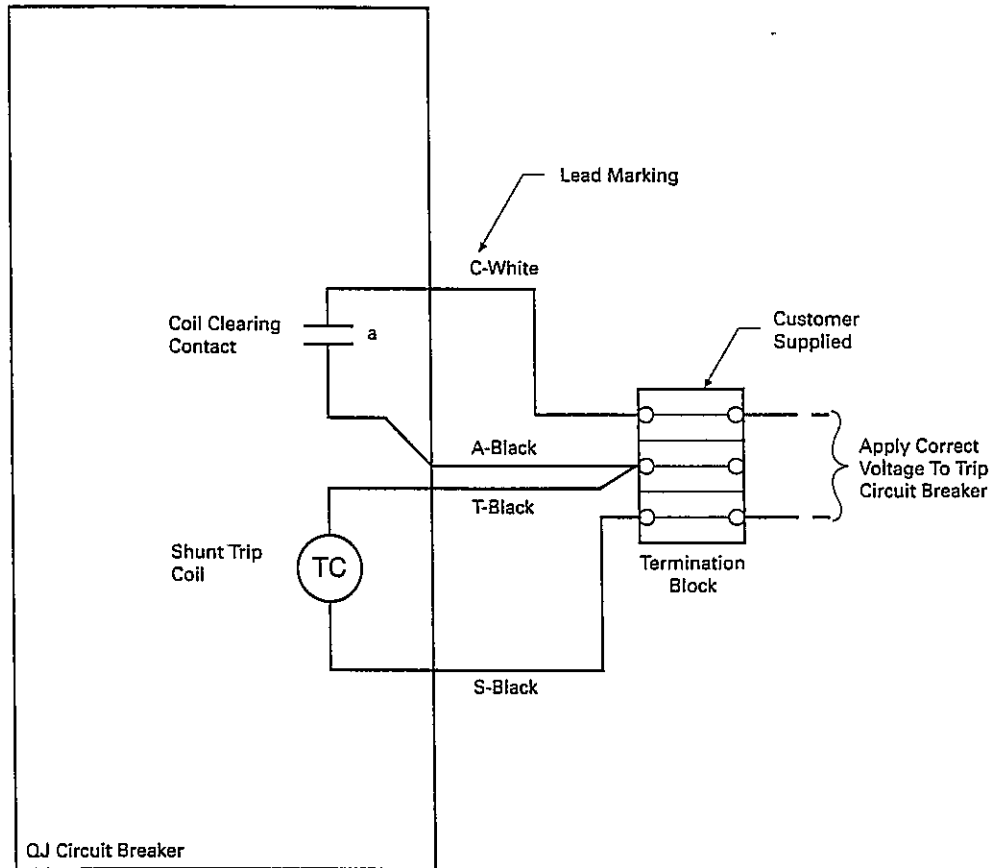
## Internal Accessories (Factory Installed Only)

| Shunt Trip      |                |
|-----------------|----------------|
| Control Voltage | Catalog Number |
| 120V AC         | SO1QJOR3       |
| 240V AC         | SO1QJOR3       |
| 24V DC          | SO7QJOR3       |
| 48V DC          | SO9QJOR3       |
| 125V DC         | S10QJOR3       |

| Auxiliary Switch           |
|----------------------------|
| 1a-1b contact<br>AO1QJOR3  |
| 2a-2b contacts<br>AO2QJOR3 |

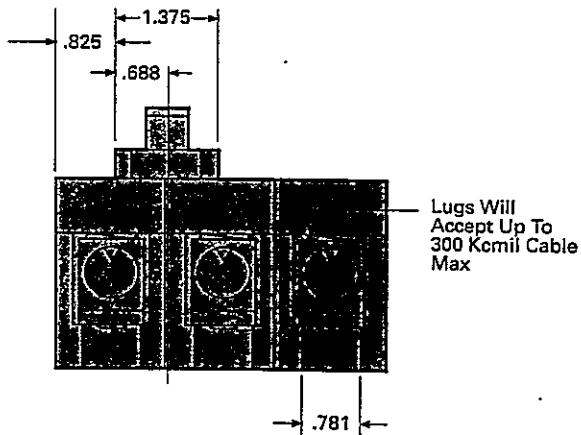
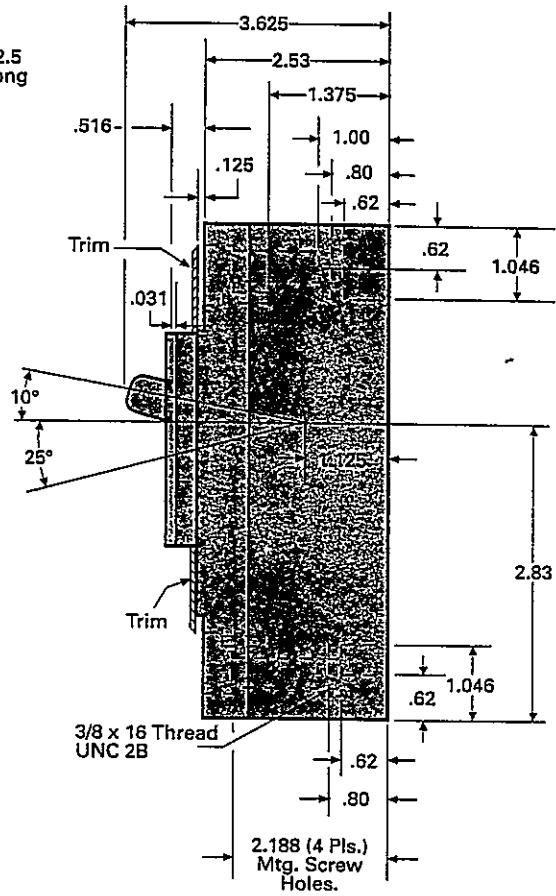
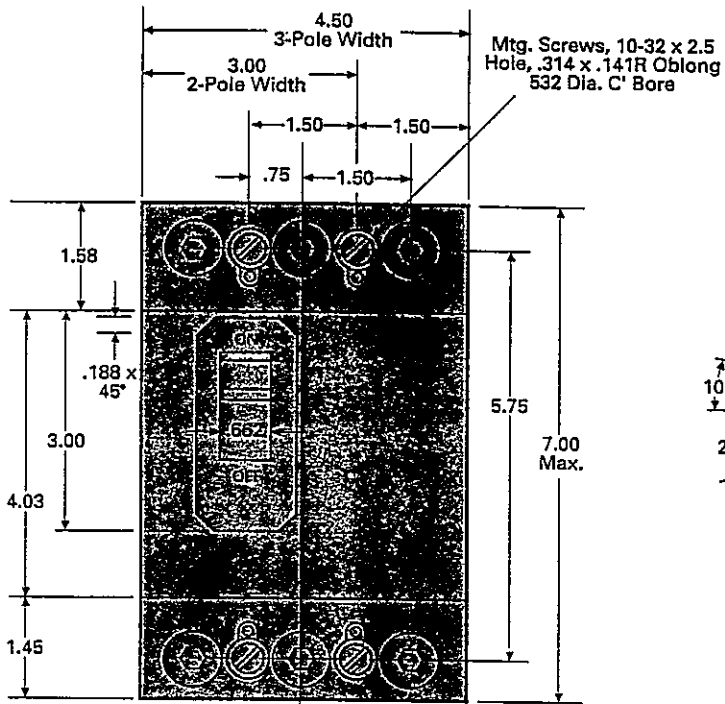
Note: Wiring diagram located on page 4.

# QJ Wiring Diagram

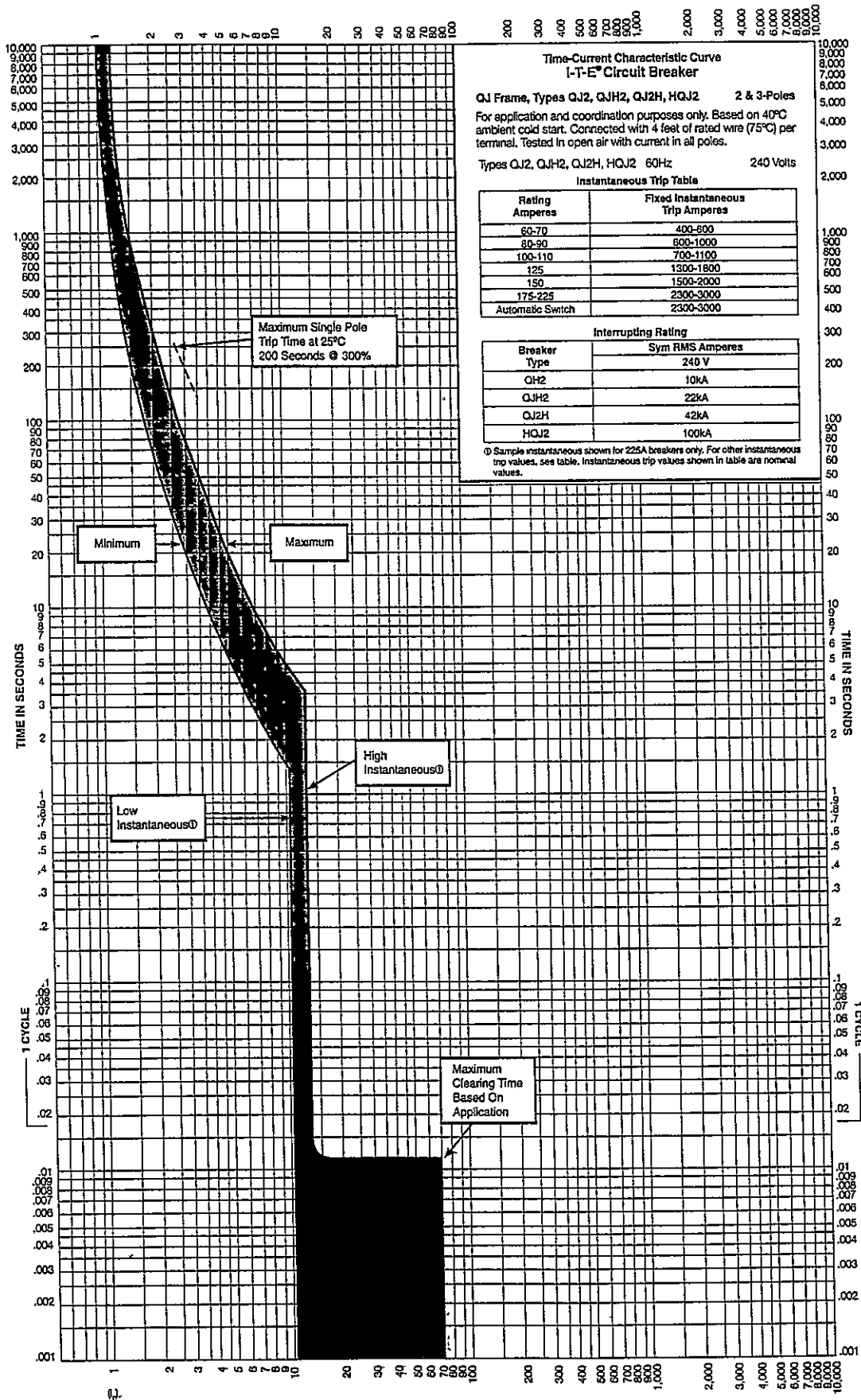


CAUTION: Auxillary 'a' contact must be wired in series with shunt trip coil as shown.

# QJ Outline Drawings



# QJ Frame Time Curve – Example



2 1 1 2



2 1 1 2

# Siemens Energy & Automation Sales Offices

## Alabama

Birmingham  
(205) 879-7030  
Mobile  
(205) 621-0822  
Montgomery  
(205) 271-4486

## Alaska

Anchorage  
(907) 346-2489

## Arizona

Phoenix  
(602) 944-7900

## Arkansas

Little Rock  
(501) 661-9008

## California

Fresno  
(209) 264-5018  
Los Angeles  
(714) 979-6600  
Sacramento  
(916) 631-9433  
San Diego  
(619) 569-8015  
San Francisco  
(510) 429-1200

## Colorado

Colorado Springs  
(719) 473-7880  
Denver  
(303) 694-3770  
Ft. Collins  
(303) 223-2712

## Connecticut

Wallingford  
(203) 265-5003

## Florida

Ft. Lauderdale  
(305) 484-3888  
Fort Myers  
(813) 656-3605  
Jacksonville  
(904) 363-0087  
Miami  
(305) 592-4106  
Orlando  
(407) 894-7771  
Tampa  
(813) 287-2356  
West Palm Beach  
(407) 683-5185

## Georgia

Atlanta  
(404) 458-4353  
Macon  
(912) 743-8994  
Savannah  
(912) 354-5092

## Hawaii

Honolulu  
(808) 591-8133

## Idaho

Boise  
(208) 342-6852

## Illinois

Chicago  
(708) 310-5900  
Peoria  
(309) 689-0823

## Indiana

Evansville  
(812) 422-9176  
Fort Wayne  
(219) 483-6999  
Indianapolis  
(317) 848-5500  
South Bend  
(219) 232-6050

## Iowa

Davenport  
(319) 322-5046  
Des Moines  
(515) 280-1614

## Kansas

Kansas City  
(913) 491-3740  
Wichita  
(316) 942-1409

## Kentucky

Louisville  
(502) 426-4647

## Louisiana

Baton Rouge  
(504) 293-6874  
New Orleans  
(504) 837-8500  
Shreveport  
(318) 424-0720

## Maine

Portland  
(207) 854-0021

## Maryland

Landover  
(301) 459-2044

## Massachusetts

Andover  
(508) 685-6077  
Worcester  
(508) 792-4566

## Michigan

Detroit  
(810) 253-1000  
Grand Rapids  
(616) 530-9777

## Minnesota

Minneapolis  
(612) 942-8888

## Mississippi

Jackson  
(601) 936-9360

## Missouri

Kansas City  
(913) 491-3740  
St. Louis  
(314) 567-3900

## Nebraska

Omaha  
(402) 397-1940

## Nevada

Las Vegas  
(702) 734-1022

## New Hampshire

Manchester  
(603) 626-0702

## New Jersey

Cranford  
(908) 276-7227

## New Mexico

Albuquerque  
(505) 881-1611

## New York

Albany  
(518) 482-0790  
Buffalo  
(716) 834-3815  
Long Island  
(516) 484-3590  
Syracuse  
(315) 453-3780

## North Carolina

Asheville  
(704) 253-8299  
Charlotte  
(704) 536-1201  
Greensboro  
(910) 852-1758  
Raleigh  
(919) 782-3365  
Wilmington  
(910) 313-0034

## North Dakota

Bismarck  
(701) 258-9555  
 Fargo  
(701) 293-7709

## Ohio

Cincinnati  
(513) 398-9288  
Cleveland  
(216) 642-0701  
Columbus  
(614) 766-2204  
Dayton  
(513) 279-0458  
Toledo  
(419) 893-7197  
Wooster  
(216) 262-3268

## Oklahoma

Oklahoma City  
(405) 235-7515  
Tulsa  
(918) 665-1806

## Oregon

Eugene  
(503) 683-2111  
Portland  
(503) 635-6700

## Pennsylvania

Philadelphia  
(215) 646-3800  
Pittsburgh  
(412) 788-8060  
York  
(717) 854-9776

## Rhode Island

Providence  
(401) 732-9966

## South Carolina

Columbia  
(803) 359-7715  
Greenville  
(803) 288-3490

## Tennessee

Chattanooga  
(615) 267-7412  
Johnson City  
(615) 282-2718  
Knoxville  
(615) 690-5172  
Memphis  
(901) 761-2123  
Nashville  
(615) 367-9403

## Texas

Austin  
(512) 416-0181  
Dallas  
(214) 247-4481  
El Paso  
(915) 857-4218  
Fort Worth  
(817) 838-9770  
Houston  
(713) 690-3000  
McAllen  
(210) 687-2072  
San Antonio  
(210) 525-7845

## Utah

Salt Lake City  
(801) 266-9612

## Virginia

Richmond  
(804) 288-8311  
Roanoke  
(703) 982-2776  
Virginia Beach  
(804) 486-0174

## Washington

Seattle  
(206) 828-6600  
Spokane  
(509) 325-2582  
Tacoma  
(206) 926-7663

## Washington, D.C.

(301) 459-2044

## West Virginia

(304) 522-9732

## Wisconsin

Green Bay  
(414) 336-1144  
Milwaukee  
(414) 774-9500

## Canada

Mississauga, Ontario  
(905) 819-8000  
Pointe Claire, Quebec  
(514) 695-7300  
Vancouver, British Columbia  
(604) 435-0880

## International

TLX: 822024SEA  
IBU UF

Fax: (404) 751-2496

Phone: (404) 751-2291

Siemens Energy & Automation, Inc.  
Distribution Products Division  
3333 Old Milton Parkway  
Alpharetta, GA 30202